

RFID tags and badges

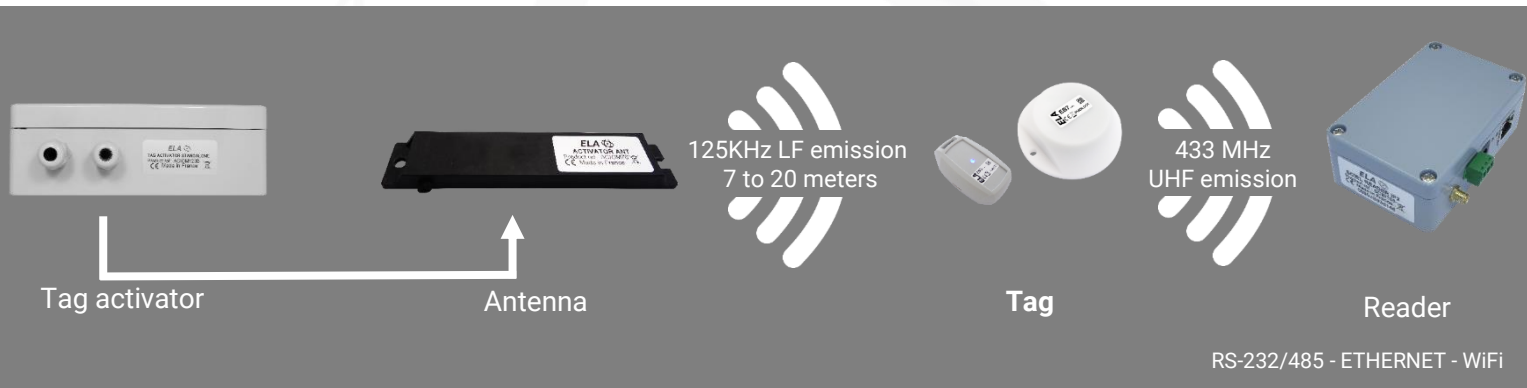
PUCK DOT
Ref. IDF2570



High-precision tracking and localization

- 🕒 Active RFID tag with dual-band LF and UHF
- 🕒 Low-frequency detection distance from **7 to 20 meters**, depending on antenna type
- 🕒 **Highly accurate distance detection** (+/- 7%)
- 🕒 Long UHF emission range: up to **150 meters** free field
- 🕒 Long battery life: **8 to 14 years**
- 🕒 Robust industrial casing – **Waterproof rating: IP68**

PUCK DOT is an active RFID tag that operates on **two frequencies: 125 KHz for reception and 433 MHz for emission**. Low-frequency reception enables **extremely accurate distance measurement**, compatible with even highly metallic environments. UHF emission offers greater detection distance, reaching over 100 meters. PUCK DOT has **long battery life** and **robust, waterproof casing**.



Principle

Architecture for the **DOT identification system** is comprised of the TAG ACTIVATOR module, emitting a stable and precise magnetic field periodically at low-frequency (LF), and the TAG DOT, whose long-range UHF RFID emission is activated in response to the magnetic field. All RFID receivers in the standard ELA Innovation product line can collect emissions from activated DOT TAGS.

Two omnidirectional, 360°, LF antenna models are available for **TAG ACTIVATOR**: the medium range ACTIVATOR ANT reaching up to about 7 meters, and the long-range ACTIVATOR PANEL ANT for range up to 20 meters.

1 TECHNICAL SPECIFICATIONS

TECHNICAL SPECIFICATIONS

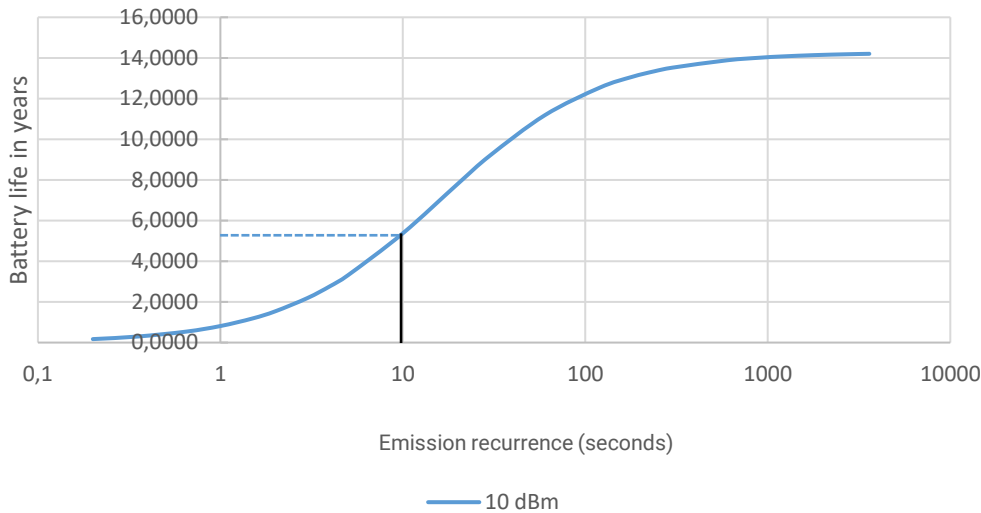
Power supply	3.6 VDC – Internal battery (Li-SOCI2)
Frequency	433.92 MHz emission
Emission settings	24 bits or 32 bits: ID tag, LF reception level, ID ACTIVATOR
Compatible readers	SCIEL READER products
Configuration	EDOT software with SCIEL PROG IR tool
Maximum range emission	150 m (free field and 10 dBm output power)
Frequency	125 KHz reception
Maximum range reception	7 m to ACTIVATOR (free field) with included antenna 20 m to ACTIVATOR (free field) with external antenna
Indicative duration	8 years (10 sec. transmission rate) Maximum 14 years
Duty cycle	Depends on ACTIVATOR emission cycle
Indicator	Red LED indicates reception of LF activation signal
Operating temperature	-40°C to +85°C
Protection index	IP68 – Protected from long term immersion
Battery management	Specific code sent at end of battery's life
Casing	Ø 57 mm base - height 18 mm - IP 68 waterproof – Weight: 36 g DELRIN (POM C) - Compatible with food products (90/128/EEC) 2 mounting holes, Ø 4 mm center distance 49 mm
Weight	36g
Standards	EN 301 489-3: 2013 V1.6.1; EN 300 220-2012: V2.4.1; CE; RoHS
Accessory	PUCK HOLDER (ACIOM117) – Not included



PUCK DOT with its **PUCK HOLDER** mount

2 AUTONOMY

Average PUCK DOT battery life based on period



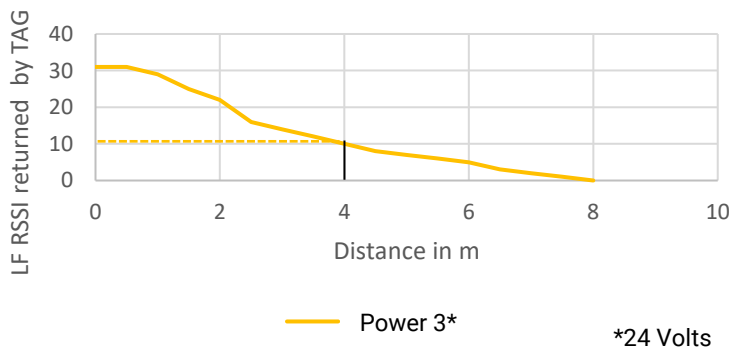
Sample calculation for PUCK DOT battery life

- For 10 sec. emission cycle, tag battery life at 10 dBm is 5 years.
- For 60 sec. emission cycle, tag battery life at 10 dBm is 11 years.
- Tag configurable for 0 dBm or 10 dBm.

Average PUCK DOT battery life based on average emission period

3 LOW-FREQUENCY DETECTION DISTANCE

ACTIVATOR ANT
LF RSSI based on distance



Sample calculation of LF RSSI level for ACTIVATOR ANT

Adjustment level of magnetic LF field range

Power 3*: Max from 0 to 7 m

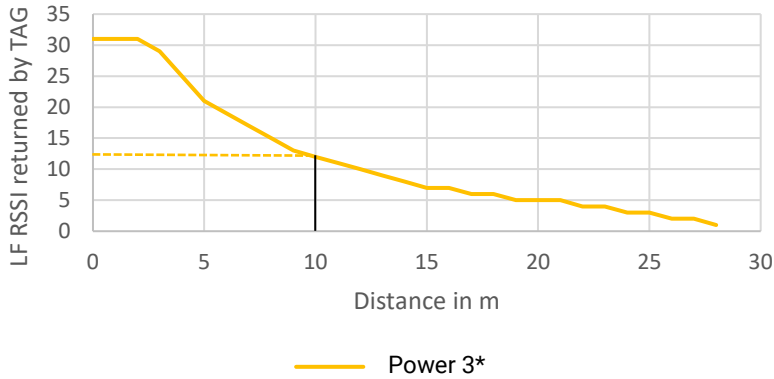
Sample RSSI LF value returned by badge at 4 meters

Power 3*: 10

* Power curve 3 available only for ACTIVATOR powered by 24 VDC
RSSI: LF signal strength received by badge
Maximum values measured in unconstrained laboratory conditions

Signal power value returned based on distance and type of LF antenna

ACTIVATOR PANEL ANT
LF RSSI based on distance



*24 Volts

Sample calculation of LF RSSI level for ACTIVATOR PANEL ANT

Adjustment level of magnetic LF field range

Power 3*: Max from 0 to 28 m

Sample RSSI LF value returned by badge at 10 meters

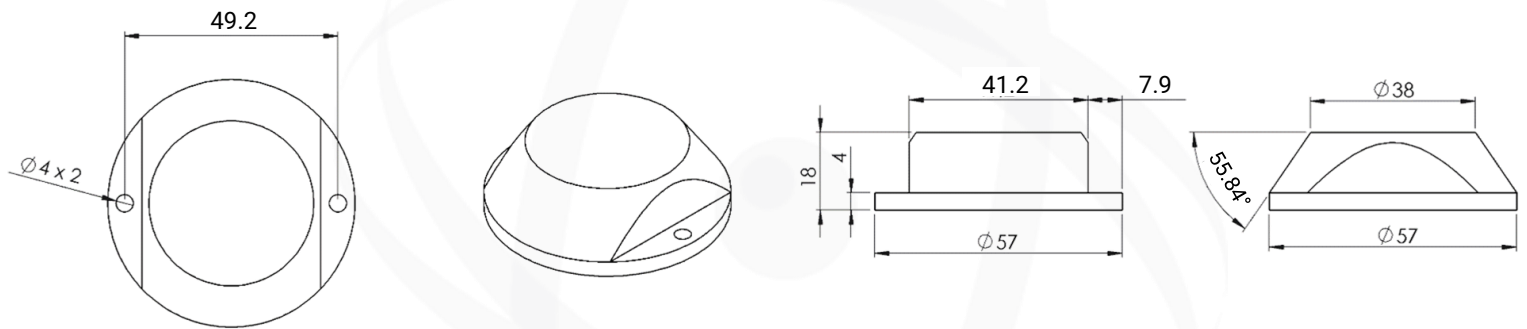
Power 3*: 12

* Power curve 3 available only for ACTIVATOR powered by 24 VDC

RSSI: LF signal strength received by badge

Maximum values measured in unconstrained laboratory conditions

4 MECHANICAL DIMENSIONS



Mechanical dimensions (mm)



PUCK DOT in situation

5 REFERENCES AND VERSIONS

<i>MODEL</i>	<i>P/N REFERENCE</i>	<i>SPECIFICATIONS</i>
<u>TAG ACTIVATOR STANDALONE</u>	ACIOM123B	Electronic DOT badge activation module; 1 integrated antenna; 2 antenna outputs with cable glands; 12 or 24 VDC power supply; IP65 waterproof polycarbonate casing, 160 x 100 x 60 mm; configuration with USB setup cable and EDOT software
<u>TAG ACTIVATOR</u>	ACIOM75B	Version in casing, without antenna
<u>TAG ACTIVATOR OEM</u>	ACIOM43B	Electronic board version without casing, with mounted antenna
<u>TAG DOT</u>	IDF2470	LF and UHF 433 MHz dual-band activatable badge; ABS casing, 60 x 40 x 18 mm; user-replaceable battery; key ring or neck strap loop; LED activation indicator; configuration using SCIEL PROG IR tool and EDOT software
<u>PUCK DOT</u>	IDF2570	LF and UHF 433 MHz dual-band activatable tag; long-range UHF emission up to 150 meters; long battery life; LF detection range from 7 to 15 meters, depending on the antenna; white DELRIN casing; IP68 waterproof; diameter 56 mm; thickness: 19 mm; 2 mounting holes; configuration with SCIEL PROG IR tool and EDOT software
<u>ACTIVATOR ANT</u>	ACIOM76	Activation antenna with 5-meter cable; 2-point terminal connector; dimensions 145 x 26 x 12 mm; 2 mounting holes; black ABS casing, potted, waterproof
<u>ACTIVATOR PANEL ANT</u>	ACIOM113	DOT Activator Antenna; long-range; ABS casing; dimensions 130 x 278 x 558 mm; 4 antenna adjustment switches; IP67 waterproof; 2 cable glands; 1 SMA connector for RFID antenna
<u>SETUP CABLE</u>	ACIOM89	USB configuration cable for Tag ACTIVATOR