

# BLUE COIN MOV

REF. IDF10244C



## BENEFITS

- Angular position and motion measurement
- Very long range: up to 200 meters
- High lifecycle: upto 4.5 years
- IP68 Waterproof
- Integrated NFC chipset



## TECHNICAL SPECIFICATIONS

### OPERATING MODE

**Frequency** 2.4 GHz - Bluetooth Low Energy 4.0/4.2  
**Output power** Up to +4 dBm (configurable)  
**Range** Up to 200 meters in open field (+4dBm)

**Transmission period** Advertising period (0,1 sec to 10 sec – configurable in seconds)

### Radio frame format

Motion event detection (MOV)*	Angular position measurement (ANG)*
<b>Identifier</b> (15 characters max) (15 bytes) <b>Motion detection counter:</b> Total number of motion events detected (15 bits) <b>Motion instantaneous state</b> (1 bit)	<b>Identifier</b> (15 characters max) (15 bytes) X-axis acceleration (mg) (2 bytes) Y-axis acceleration (mg) (2 bytes) Z-axis acceleration (mg) (2 bytes)

*\*Refer to the frames specifications for more information*

**Parameters and configuration** Interface/protocole : NFC (Type 2)  
**Connected mode** Datalogger transmission (record of saved sensor data)  
 LED indicator (ON/OFF) command  
 Battery level command  
**Advertising mode** Periodic sensor data transmission

### Sensor performance

Motion event detection (MOV)	Angular position measurement (ANG)
<b>Range:</b> 8g to 8g <b>Threshold level:</b> between 32 and 8000 mg <b>Motion event detector:</b> Immediate transmission upon change of motion state	<b>Range:</b> -2g to 2g <b>Resolution:</b> 1mg (LSB) <b>Accuracy:</b> ±0,5% Full scale

**BATTERY**

<b>Power supply</b>	3 VDC - Internal lithium battery
<b>Battery life</b>	MOV = up to 4.5 years* ANG = up to 4.7 years* <i>*Refer to the battery life curves for more information.</i>
<b>Battery level</b>	Low battery warning from 15%

**CERTIFICATIONS**

<b>Europe</b>	CE : EN 300 328/EN 300 330, EN 301 489, EN 62311, EN 62368
<b>USA</b>	FCC : FCC PART 15
<b>Canada</b>	ISED : RSS-247/ICES-003
<b>RoHS</b>	Yes

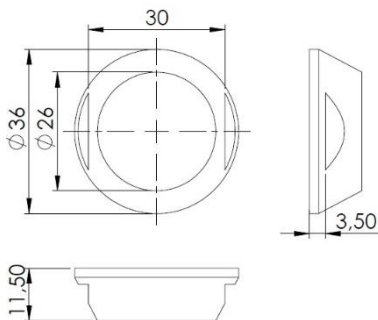
**HOUSING**

<b>Dimensions</b>	Ø 36mm base - hauteur 11,5mm
<b>Weight</b>	13g
<b>Materials</b>	DELIN (POM C) Compatible with food products (90/128/EEC)
<b>Waterproofness</b>	IP 68
<b>Operating temperature</b>	-30°C to +70°C

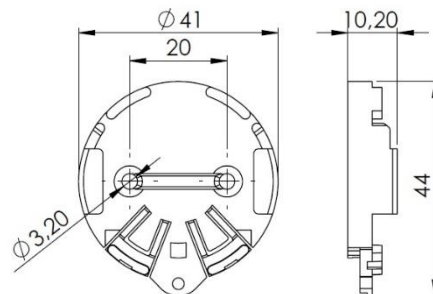
**ACCESSORIES**

<b>Tag support</b>	COIN HOLDER STICKER (ACIOM92C) COIN HOLDER (ACIOM91) COIN STICKER (ACIOM187) 3M PT1100 - Ø 41mm – Thickness: 1,1mm
--------------------	---

**MECANICAL DRAWINGS**



*Blue COIN MOV*



*COIN HOLDER*

Specifications could be modified without any notification. Non-contractual document.  
[www.elainnovation.com](http://www.elainnovation.com) Copyright © 2020 ELA Innovation – FP Blue COIN MOV 06B EN