

RFID Antennas

PUCKY MG

Ref. ACIOM72



PUCKY SL

Ref. ACIOM73



- 🕒 **Powerful Antenna for TELEMATICS application in harsh environment**
- 🕒 **Omnidirectional antenna**
- 🕒 **Flat and discreet form factor**
- 🕒 **IP67, IK09, IP69K Certified**

ELECTRICAL DATA

Bandwith	433 MHz
Omnidirectional	360°
Gain	+ 6 dBi
Impedance	50 Ω
VSWR (standing wave ratio)	< 2: 1
Polarisation	Linear
Temperature	-40°C to +85°C

MECHANICAL DATA

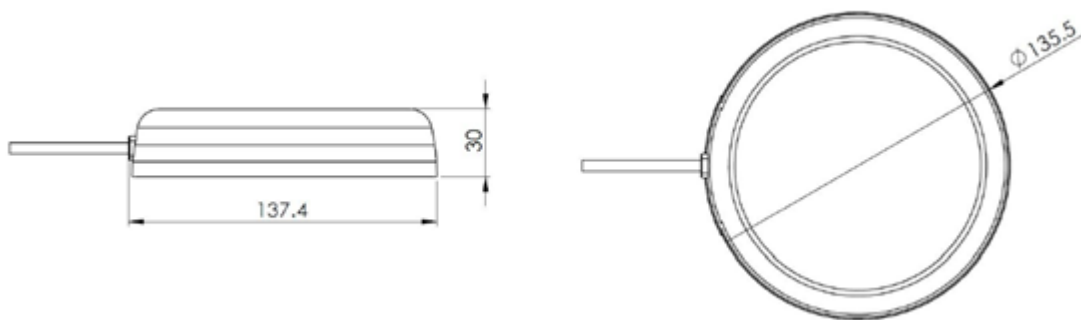
Coaxial cable with SMA connector	2.50 m
For inside and outside applications	Certificates: IP67, IK09, IP69K
Material	ABS lid Seal: TPE Base: ZAMAK
Housing color	Black

MECHANICAL DATA

PUCKY Ground Plane and Magnetic Mounting base (MG version)

Antenna dimension

H: 30 mm
Ø 135.5 mm



PUCKY Through Base Nut System (SL version)

Antenna Dimension

H: 49.5 mm
Ø 142.5 mm

Traversing base to screw. Drilling diameter min

M14 x 1

