

**RFID Readers**

**SCIEL READER IP2**

Ref. SCIBT68B



**SCIEL READER WF2**

Ref. SCIBT69B



- ⦿ **Powerful “Active RFID gateway” your Ethernet local network or your WIFI Network**
- ⦿ **Compact and robust aluminum housing** dedicated for the industrial applications
- ⦿ Integrated **PoE** feature for the **SCIEL READER IP2**
- ⦿ Multiples IP protocols supported for the network management with your LAN / WIFI network
- ⦿ [Available in IP66 waterproof version](#)



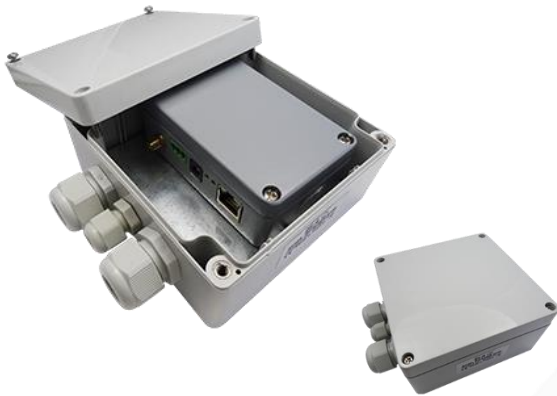
### TECHNICAL SPECIFICATIONS

External power supply	9-48 VDC
Average current	150 mA max
Frequency	433.92 MHz (868MHz version: SCIEL READER IP2H or SCIEL READER WF2H)
Receiving range	Adjustable by software command up to 150m (depending on external antenna)
Operating temperature	-20°C to +60°C
Supported IP protocols (network admin)	<b>Data Transfer:</b> TCP/IP, UDP/IP, Telnet <b>Communication and network management:</b> ARP, ICMP, SNMP, DHCP, BOOTP, TFTP, AutoIP, HTTP
Settings	Device Installer software (IP network settings) & ETER configuration software (Active RFID settings) running under Windows XP, W7, W8
RFID antenna connector	SMA-F
LED indicators	Power (yellow), frame receipt (blinking yellow) Ethernet / WIFI connection (blue) On the Ethernet port: network speed (green), network communication (yellow)
Housing	Aluminum with anti-oxydation paint – 98 x 64 x 36 mm
IP waterproof	IP52
Standards	EN 301 489 – 3: 2002 V1.4.1; EN 300 220 – 2007: V2.1.2; CE; RoHS certified
<b>ETHERNET VERSION</b>	
Output interface	Ethernet 10base-T or 100Base-TX (Auto-sensing) Open collector output (0.1A, 30V)
PoE feature (Power over Ethernet)	Fully compliant IEEE 802.3af PD Interface
Ethernet connector	RJ45 Ethernet
Accessories	1.5m RJ45 cable included SMA-M BNC antenna converter included Mini straight RFID 433MHz antenna included Male Power Supply removable connector included DIN RAIL mounting clip – DIN CLIP01 (not included)
<b>WIFI VERSION</b>	
Output interface	WLAN interface – IEEE 802.11 b/g/n (2.4 GHz only) Open collector output (0.1A, 30V)
WIFI antenna connector	SMA-F-RP
Accessories	Black articulated WIFI antenna integrated SMA-M BNC antenna converter included Mini straight RFID 433MHz antenna included Male Power Supply removable connector included DIN RAIL mounting clip – DIN CLIP01 (not included)

**RFID Readers IP66 Waterproof version**

**SCIEL READER IP2E**

Ref. SCIBT70B



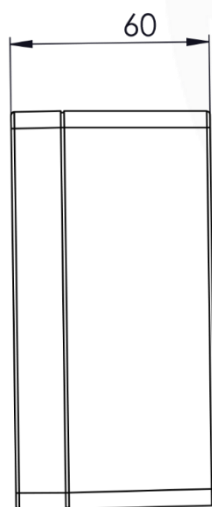
**SCIEL READER WF2E**

Ref. SCIBT71B

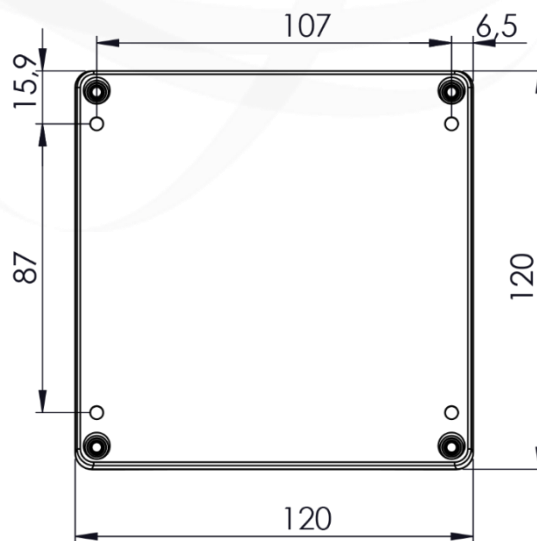


**TECHNICAL SPECIFICATIONS**

Housing	ABS
IP Waterproof	IP66
Total weight	660g
Standards	EN 301 489-3 : 2002V1.4.1 EN 300 220-2007 : V2.1.2 CE ; RoHS Certified



Lateral section



Cover

**Mechanical Specifications (in mm)**