

## Blue PUCK PIR



Bluetooth Low Energy Presence detection sensor

### BENEFITS

- Integrated PIR sensor for presence detection
- High transmission range
- Waterproof (IP65)
- Smart & secure programming by NFC
- Over The Air Programming (OTAP)
- Dynamic Advertising period
- BAF compatible depending on configuration



## TECHNICAL SPECIFICATIONS

### OPERATING MODE

<b>Frequency</b>	2,4 GHz - Bluetooth Low Energy 4.0/4.2
<b>Output power</b>	Up to +4 dBm (configurable)
<b>Range</b>	Up to 500 meters open field (+4dBm)
<b>Transmission period</b>	2 advertising periods can be configured: value between 0,1 and 10 seconds (IDF25249-01A only) value between 0,1 and 86400 seconds (IDF25249-02A only) Transition from one to another according to configurable sensor threshold.
<b>Radio frame format</b>	<b>ELA ID</b> (15 bytes identifier) <b>ELA PIR</b> (15 bytes identifier + 15 bits event counter + 1 bit sensor state)  <i>Other frame format available on request. Refer to the frames specifications for more information</i>
<b>Parameters and configuration</b>	Interface/protocole : NFC (Type 2)
<b>Connected mode</b>	Datalogger commands (record of saved sensor data)/ Battery level
<b>Sensors performance</b>	<b>Range</b> : 10 cm to 5 m (4 levels configuration)

### BATTERY

<b>Power supply</b>	3 VDC - Internal lithium battery
<b>Battery life</b>	<b>Up to 6 years*</b> <i>* Refer to the battery life curves for more information</i>
<b>Battery level</b>	Low battery warning in advertising frames (<15%) Battery voltage in scan response frames (configurable)

### CERTIFICATIONS

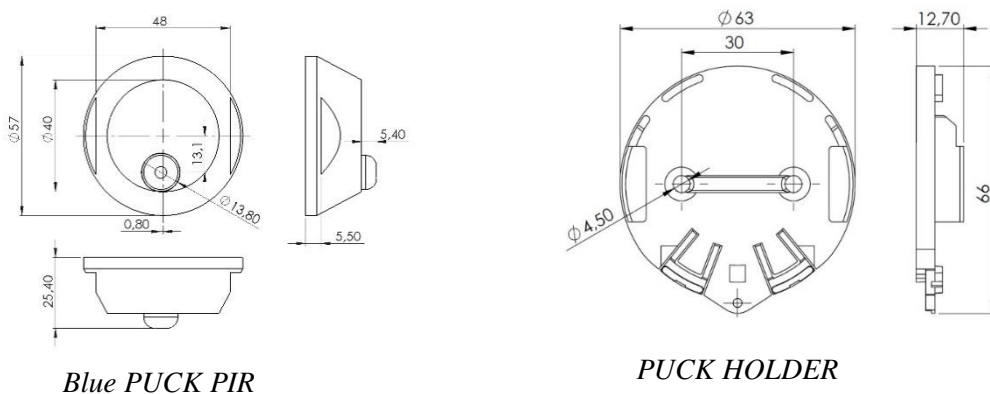
<b>Europe</b>	CE / EN 301 489 & EN 55032 / EN 62368-1
<b>UK</b>	UKCA
<b>USA</b>	FCC : FCC 15.247 / FCC PT 15B
<b>Canada</b>	ISED : RSS-247 / ICES-003
<b>RoHS/REACH HOUSING</b>	Yes

<b>Dimensions</b>	Ø 57 mm base - Thickness 20 mm
<b>Weight</b>	41g
<b>Materials</b>	DELRIN (POM C) Compatible with food products (90/128/EEC)
<b>Waterproofness</b>	IP 65
<b>Operating temperature</b>	-18°C to +32°C
<b>Storage temperature</b>	-18°C to +80°C

**ACCESSORIES**

<b>Tag support</b>	<b>Holder + double-sided adhesive:</b> PUCK HOLDER STICKER (ACIOM118B)
	<b>Holder only:</b> PUCK HOLDER (ACIOM117B)
	<b>Double-sided adhesive only:</b> PUCK STICKER (ACIOM188)
	3M PT1100 - Ø 55mm – Thickness: 1,1mm

**MECHANICAL DRAWINGS**



*Blue PUCK PIR*

*PUCK HOLDER*

**AVAILABLE REFERENCES**

Ref	Description
IDF25249-02A	Blue Puck PIR Bluetooth advanced features ready version & IP65