

## Blue PUCK RHT



Bluetooth Low Energy Humidity & Temperature sensor

### BENEFITS

- Very high autonomy : up to 18 years
- High transmission range
- Waterproof (IP65)
- Smart & secure programming by NFC
- Over The Air Programming (OTAP)
- Dynamic Advertising period
- BAF compatible depending on configuration



## TECHNICAL SPECIFICATIONS

### OPERATING MODE

<b>Frequency</b>	2,4 GHz - Bluetooth Low Energy 4.0/4.2
<b>Output power</b>	Up to +4 dBm (configurable)
<b>Range</b>	Up to 500 meters open field (+4dBm)
<b>Transmission period</b>	2 advertising periods can be configured (value between 0,1 and 86400 seconds). Transition from one to another according to configurable sensor threshold
<b>Radio frame format</b>	<b>ELA ID</b> (15 bytes identifier) <b>ELA RHT</b> (15 bytes identifier + 2 bytes Temperature (in 0.01 °C)+1 byte Relative Humidity (%))  <i>Other frame format available on request. Refer to the frames specifications for more informations</i>
<b>Parameters and configuration</b>	Interface/protocol: NFC (Type 2)
<b>Connected mode</b>	Datalogger transmission (record of saved sensor data) Battery level command

### Sensors performance

	Temperature	Humidity (non-condensing)
<b>Range</b>	-30 to 85 °C	0% to 100%
<b>Resolution</b>	0.01 °C	0.01 %
<b>Accuracy</b>	±0,4 °C maximum	±2,5 % max (0% to 90%) ±3,5 % max (90% to 100%)

### BATTERY

<b>Power supply</b>	3 VDC - Internal lithium battery
<b>Battery life</b>	<b>Up to 18 years*</b> <i>* Refer to the battery life curves for more information</i>
<b>Battery level</b>	Low battery warning in advertising frames (<15%) Battery voltage in scan response frames (configurable)

**CERTIFICATIONS**

Europe	CE / EN 301 489 & EN 55032 / EN 62368-1
UK	UKCA
USA	FCC : FCC 15
Canada	ISED : RSS-247 / ICES-003
RoHS/REACH	Yes

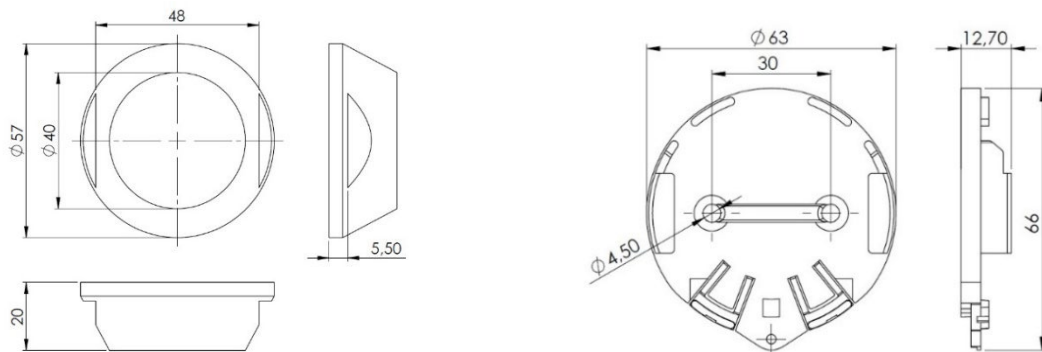
**HOUSING**

Dimensions	Ø 57 mm base - Thickness 20 mm
Weight	41g
Materials	DELIRIN (POM C) Compatible with food products (90/128/EEC)
Waterproofness	IP 65 (non-condensing)
Operating temperature	-30°C to +85°C

**ACCESSORIES**

Tag support	<p><b>Holder + double-sided adhesive:</b> PUCK HOLDER STICKER (ACIOM118B)</p> <p><b>Holder only:</b> PUCK HOLDER (ACIOM117B)</p> <p><b>Double-sided adhesive only:</b> PUCK STICKER (ACIOM188) 3M PT1100 - Ø 55mm – Thickness: 1,1mm</p>
-------------	--

**MECHANICAL DRAWINGS**



*BLUE PUCK RHT*

*PUCK HOLDER*

**AVAILABLE REFERENCES**

Ref	Description
IDF25242-01A	Blue Puck RHT Bluetooth advanced features ready version & IP65