



## Blue COIN ID & AERO ID

### Industrial Bluetooth Low Energy beacon

#### BENEFITS

- High autonomy : up to 5 years
- Pick to light : integrated high power LED
- Waterproof IP69K (COIN only)
- Smart & secure programming by NFC
- Over The Air Programming (OTAP)
- BAF compatible depending on configuration



## TECHNICAL SPECIFICATIONS

### OPERATING MODE

<b>Frequency</b>	2.4 GHz - Bluetooth Low Energy 4.0/4.2
<b>Output power</b>	Up to +4 dBm (configurable)
<b>Range</b>	Up to 200 meters in open field (+4dBm)
<b>Transmission period</b>	2 advertising periods can be configured (value between 0,1 and 86400 seconds). Transition from one to another according to configurable sensor threshold
<b>Radio frame format</b>	<b>ELA ID</b> (15 bytes identifier) <b>iBeacon</b> <b>Eddystone</b> <i>Other frame format available on request. Refer to the frames specifications for more information</i>
<b>Parameters and configuration</b>	Interface/protocol : NFC (Type 2)
<b>Connected mode</b>	LED indicator (ON / OFF) command / Battery level

### BATTERY

<b>Power supply</b>	3 VDC – Internal lithium battery
<b>Battery life</b>	ID (ELA) : 5 years, iBeacon (Apple) : 5 years, Eddystone (Google) : 5 years*s <i>*Refer to the battery life curves for more information.</i>
<b>Battery level</b>	Low battery warning in advertising frames (<15%) Battery voltage in scan response frames (configurable)

**CERTIFICATIONS**

<b>Europe</b>	CE / EN 300 330 / EN 301 489 / EN 62311 / EN 62368
<b>UK</b>	UKCA
<b>USA</b>	FCC : FCC PART 15
<b>Canada</b>	ISED : RSS-247/ICES-003
<b>RoHs/REACH</b>	Yes

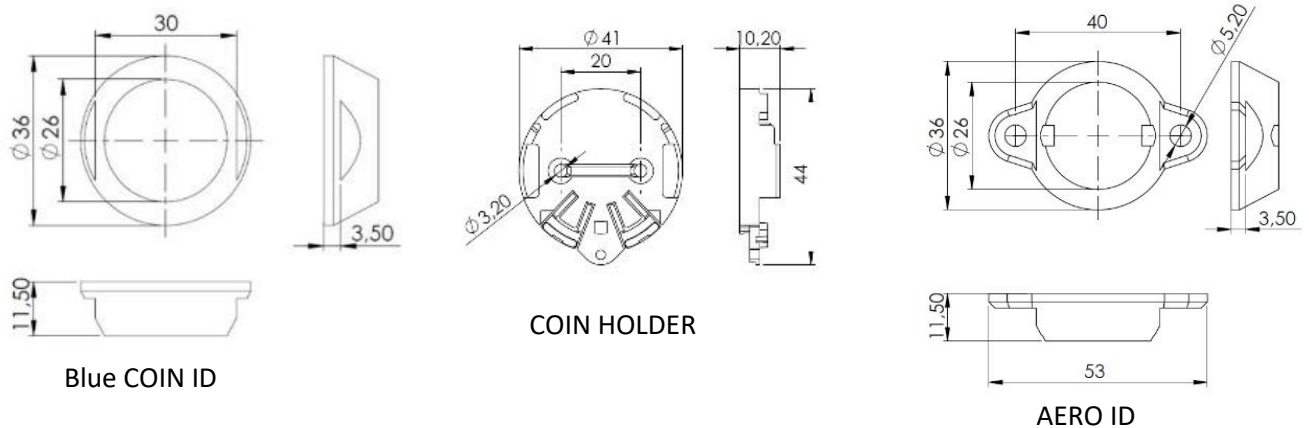
**HOUSING**

<b>Dimensions</b>	Ø 36mm base - Thickness 11,5mm 2 holes : Ø 5,2mm, spaced of 40 mm (AERO only)
<b>Weight</b>	13g
<b>Materials</b>	DELTRIN (POM C) Compatible with food products (90/128/EEC)
<b>Waterproofness</b>	IP69K (IDF10240-05A & IDF10240-06A only) & IP68 (Both)
<b>Operating temperature</b>	-30°C to +70°C

**ACCESSORIES**

<b>Tag support</b>	<p><b>Holder + double-sided adhesive:</b> COIN HOLDER STICKER (ACIOM92C)</p> <p><b>Holder only:</b> COIN HOLDER (ACIOM91)</p> <p><b>Double-sided adhesive only:</b> COIN STICKER (ACIOM187) 3M PT1100 - Ø 34mm – Thickness: 1,1mm</p>
--------------------	---

**MECHANICAL DRAWINGS**



**AVAILABLE REFERENCES**

Ref	Description
IDF10240-03A	Aero ID IP68
IDF10240-04A	Aero ID Bluetooth advanced features ready version & IP68
IDF10240-05A	Blue COIN ID IP69K
IDF10240-06A	Blue COIN ID Bluetooth advanced features ready version & IP69K