

BLUE COIN ID

Industrial Bluetooth Low Energy beacon



BENEFITS

- High autonomy : up to 5 years
- Pick to light : integrated high power LED
- Waterproof (IP68)
- Smart & secure programming by NFC
- Over The Air Programming (OTAP)



TECHNICAL SPECIFICATIONS

OPERATING MODE

Frequency	2.4 GHz - Bluetooth Low Energy 4.0/4.2
Output power	Up to +4 dBm (configurable)
Range	Up to 200 meters in open field (+4dBm)
Transmission period	Advertising period (0,1 sec to 10 sec – configurable in seconds)
Radio frame format	Identifier: 15 characters max (15 bytes) Compatible: ID (ELA), iBeacon (Apple) and Eddystone (Google)* <i>*Refer to the frames specification for more information.</i>
Settings and configuration	Interface/protocol : NFC (Type 2)
Connected mode	LED indicator (ON / OFF) command / Battery level
Advertising mode	Periodic transmission of identifier data (beacon mode)

BATTERY

Power supply	3 VDC – Internal lithium battery
Battery life	ID (ELA) : 5 years, iBeacon (Apple) : 5 years, Eddystone (Google) : 5 years* <i>*Refer to the battery life curves for more information.</i>
Battery level	Low battery warning in advertising frames (<15%) Battery voltage in scan response frames (configurable)

CERTIFICATIONS

Europe	CE : EN 300 328/EN 300 330 / EN 301 489 / EN 62311 / EN 62368
USA	FCC : FCC PART 15
Canada	ISED : RSS-247/ICES-003
RoHs	Yes

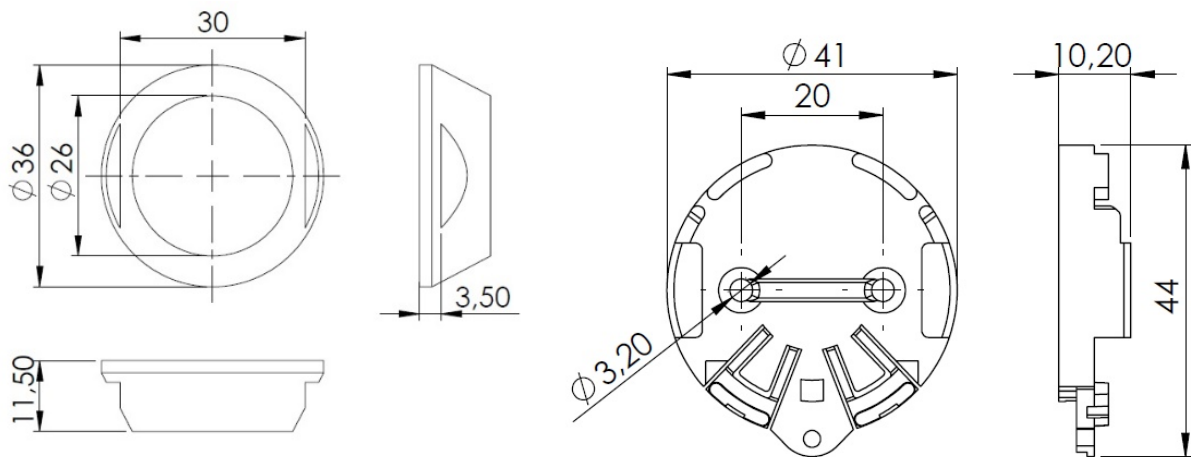
HOUSING

Dimensions	Ø 36mm base – Height 11,5mm
Weight	13g
Materials	DELRIN (POM C) Compatible with food products (90/128/EEC)
Waterproof grade	IP 68
Operating temperature	-30°C to +70°C

ACCESSORIES

Tag support	COIN HOLDER STICKER (ACIOM92C) COIN HOLDER (ACIOM91) COIN STICKER (ACIOM187) 3M PT1100 - Ø 34mm – Thickness: 1,1mm
--------------------	---

MECHANICAL DRAWINGS



Blue COIN ID

COIN HOLDER