

BLUE PUCK RHT



Bluetooth Low Energy Humidity & Temperature sensor

BENEFITS

- Very high autonomy : up to 18 years
- High transmission range
- Waterproof (IP65)
- Smart & secure programming by NFC
- Over The Air Programming (OTAP)



TECHNICAL SPECIFICATIONS

OPERATING MODE

Frequency	2,4 GHz - Bluetooth Low Energy 4.0/4.2
Output power	Up to +4 dBm (configurable)
Range	Up to 500 meters open field (+4dBm)
Transmission period	Advertising period (0,1 sec to 10 sec – configurable in seconds)
Radio frame format	Identifier : 15 characters max (15 bytes)* Temperature (0.01°C) (2 bytes)* Humidity (%) (1 byte)* <i>*Refer to the frames specifications for more information</i>
Parameters and configuration	Interface/protocol: NFC (Type 2)
Connected mode	Datalogger transmission (record of saved sensor data) Battery level command
Advertising mode	Periodic temperature and humidity data transmission

Sensors performance

	Temperature	Humidity
Range	-40 to 85 °C	0% to 100%
Resolution	0.01 °C	0.01 %
Accuracy	±0,4 °C maximum	±2,5 % max (0% to 90%) ±3,5 % max (90% to 100%)

BATTERY

Power supply	3 VDC - Internal lithium battery
Battery life	Up to 18 years* <i>* Refer to the battery life curves for more information</i>
Battery level	Low battery warning in advertising frames (<15%) Battery voltage in scan response frames (configurable)

CERTIFICATIONS

Europe	CE : EN 300 328/ EN 301 489 & EN 55032 / EN 62368-1
USA	FCC : FCC 15
Canada	ISED : RSS-247 / ICES-003
RoHS	Yes

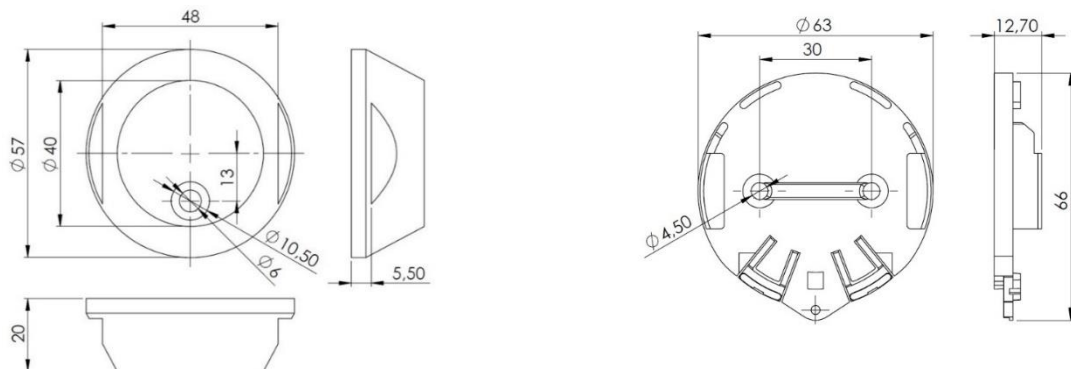
HOUSING

Dimensions	Ø 57 mm base - Thickness 20 mm
Weight	41g
Materials	DELTRIN (POM C) Compatible with food products (90/128/EEC)
Waterproofness	IP 65
Operating temperature	-40°C to +85°C

ACCESSORIES

Tag support	PUCK HOLDER STICKER (ACIOM118B) PUCK HOLDER (ACIOM117B) PUCK STICKER (ACIOM188) 3M PT1100 - Ø 53mm – Thickness: 1,1mm
--------------------	--

MECHANICAL DRAWINGS



BLUE PUCK RHT

PUCK HOLDER

Specifications could be modified without any notification. Non-contractual document.
www.elainnovation.com Copyright © 2020 ELA Innovation – FP Blue PUCK RHT 07B EN