

BLUE SLIM ID

Bluetooth Low Energy beacon tag



BENEFITS

- Ultra slim format : 2.4 mm with adhesive face
- High transmission range
- 3 years autonomy
- Smart & secure programming by NFC
- Over The Air Programming (OTAP)



TECHNICAL SPECIFICATIONS

OPERATING MODE

Frequency	2.4 GHz - Bluetooth Low Energy 4.0/4.2
Output power	Up to +4 dBm (configurable)
Range	Up to 300 meters openfield (+4 dBm)
Transmission period	Transmission period (0,1 sec to 10 sec - configurable in seconds)
Radio frame format	Identifier : 15 characters max (15 bytes) Compatible : ID (ELA), iBeacon (Apple) and Eddystone (Google)* <i>*Refer to the frames specification for more information.</i>
Settings and configuration	Interface/protocol : NFC (Type 2)
Connected mode	Battery level
Advertising mode	Periodic transmission of identifier data (beacon mode)

BATTERY

Power supply	3 VDC - Internal lithium battery
Battery life	ID (ELA) : 3 years, iBeacon (Apple): 2.6 years, Eddystone (Google): 2.6 years* <i>*Refer to the battery life curves for more information.</i>
Battery level	Low battery warning in advertising frames (<15%) Battery voltage in scan response frames (configurable)

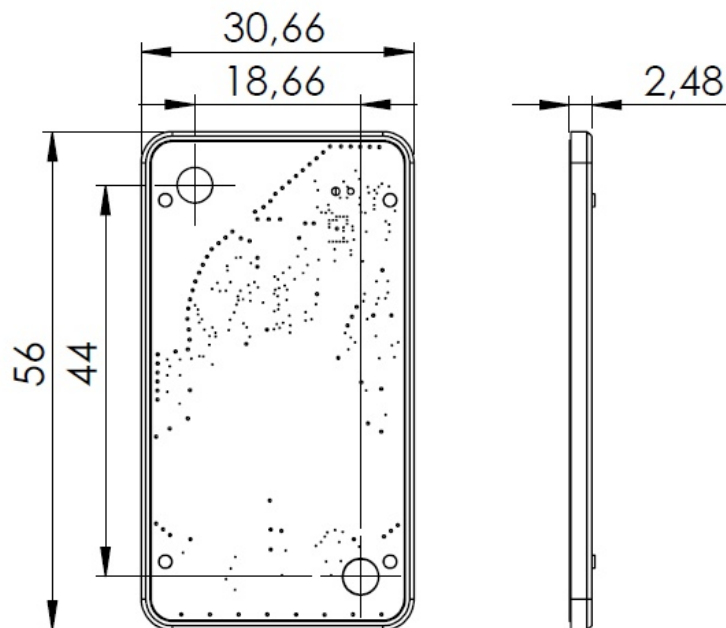
CERTIFICATIONS

Europe	CE : EN 300 328/EN 300 330, EN 301 489, EN 62311, EN 62368
USA	FCC : FCC PART 15 / RoHS
Canada	ISED : RSS-247/ICES-003 / RoHS

HOUSING

Dimensions	56 x 30.6 x 2.4 mm - 2 housing holes Ø4mm, spaced by 43 mm
Weight	6g
Materials	High adhesive back side - ABS Material
Operating temperature	-20°C to +55°C

MECHANICAL DRAWINGS



Blue SLIM ID