

## BLUE COIN ID+ Mesh

Réf. IDF10451B



### BENEFITS

- Simple deployment, maintenance, and expansion
- Over-the-air (OTA) firmware update via network
- Smart battery management
- Pick to Light LED
- Integrated NFC chipset



## TECHNICAL SPECIFICATIONS

### OPERATING MODE

<b>Frequency</b>	2.4 GHz – BLE channel / Mesh network
<b>Output power</b>	Up to +4 dBm (configurable/ smart network)
<b>Range</b>	Up to 100 meters openfield (+4 dBm)
<b>Transmission period</b>	Setting of the 2 transmission periods (Moving state and static state), 15" to 18H.
<b>Radio frame format</b>	Setting of the 3-byte identifier, address and WIREPAS network channel. BLE Advertising Frame: Transmission Interval, Name and Power.* <i>*Refer to the frames specification for more information.</i>
<b>Parameters and configuration</b>	Interface/protocol : NFC (Type 2) Acceleration level for inertial event wake up Network Configuration and Diagnostics: Wirepas Network Tool software
<b>Mobile beacon mode</b>	Periodic transmission of identifier and location data
<b>Sensor performance</b>	Location accuracy: 5 to 10 meters Accelerometer: Detection of inertial events (extension of battery life) Range: -8g to 8g Acceleration level for wake up can be set: 32 mg to 8000 mg Built-in micro-switch for tear-off detection.

## BATTERY

<b>Power supply</b>	3 VDC - Internal lithium battery
<b>Battery life</b>	Up to 7 years Battery voltage level sent via network and on MQTT Topic* <i>*Refer to the battery life curves for more information.</i>

## CERTIFICATIONS

<b>Europe</b>	CE : EN 300 328/EN 300 330, EN 301 489, EN 62311, EN 62368
<b>USA</b>	FCC : FCC PART 15
<b>Canada</b>	ISED : RSS-247/ICES-003
<b>RoHS</b>	Yes

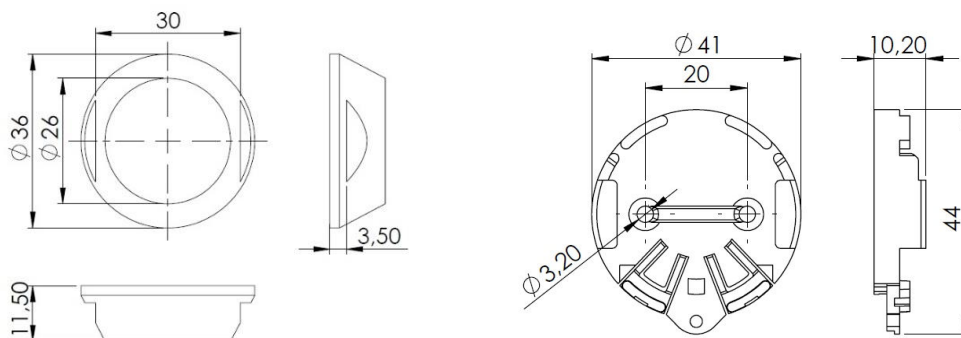
## HOUSING

<b>Dimensions</b>	Ø 36mm base – height : 11,5mm
<b>Weight</b>	13g
<b>Materials</b>	DELFIN (POM C) Compatible with food product (90/128/EEC)
<b>Waterproofness</b>	IP68
<b>Operating temperature</b>	-30°C to +70°C

## ACCESSORIES

<b>Tag support</b>	COIN HOLDER STICKER (ACIOM92C) COIN HOLDER (ACIOM91) COIN STICKER (ACIOM187) 3M PT1100 - Ø 41mm – Thickness: 1,1mm
--------------------	---

## MECHANICAL DRAWINGS



Blue COIN ID+ MESH

COIN HOLDER

Specifications could be modified without any notification. Non-contractual document.

[www.elainnovation.com](http://www.elainnovation.com) Copyright © 2020 ELA Innovation – FP Blue COIN ID+ Mesh 02B FR