

BLUE PUCK AI

Bluetooth Low Energy Analog Input sensor



BENEFITS

- Integrated 12 bits 0 to 5V ADC
- Very high autonomy : up to 20 years
- High transmission range
- Waterproof (IP68)
- Smart & secure programming by NFC
- Over The Air Programming (OTAP)



TECHNICAL SPECIFICATIONS

OPERATING MODE

Frequency	2,4 GHz - Bluetooth Low Energy 4.0/4.2
Output power	Up to +4 dBm (configurable)
Range	Up to 500 meters open field (+4dBm)
Transmission period	Advertising period (0,1 sec to 10 sec – configurable in seconds)
Radio frame format	Identifier : 15 characters max (15 bytes)* Analog input: Measurement of the voltage in mV between input and ground (2 bytes)* <i>* Refer to the frame specifications for more information</i>
Settings and configuration	Interface/protocol: NFC (Type 2)
Connected mode	Datalogger transmission (record of saved sensor measures) / Battery level
Advertising mode	Periodic event and state data transmission
Sensors performance	ADC voltage converter: Range : 0 to 5V, Resolution : 10mV Accuracy : 5% Input impedance : 20kOhms

BATTERY

Power supply	3 VDC - Internal lithium battery
Battery life	Up to 20 years* <i>* Refer to the battery life curves for more information</i>
Battery level	Low battery warning in advertising frames (<15%) Battery voltage in scan response frames (configurable)

CERTIFICATIONS

Europe	CE : EN 300 328/ EN 301 489 & EN 55032 / EN 62368-1
USA	FCC : FCC PART 15
Canada	ISED : RSS-247 / ICES-003
RoHs	Yes

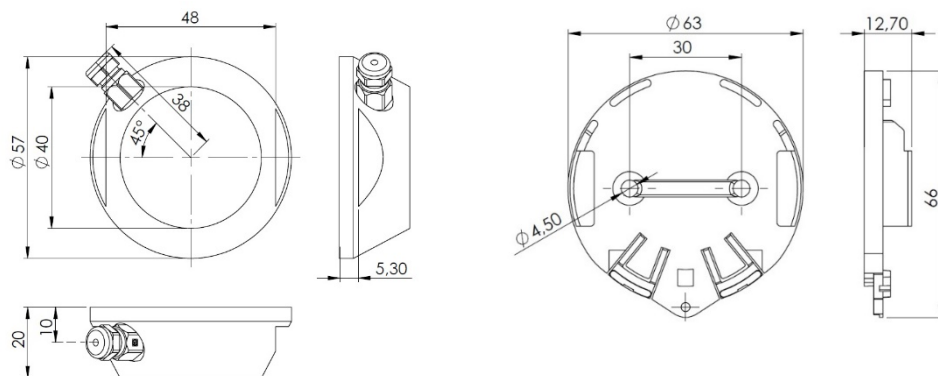
HOUSING

Dimensions	Ø 57 mm base - Height 20 mm
Weight	50g
Materials	DELTRIN (POM C) Compatible with food products (90/128/EEC)
Cable	Provided with 1m cable Red : + White : GND
Waterproof grade	IP 68
Operating temperature	-40°C to +85°C

ACCESSORIES

Tag support	PUCK HOLDER STICKER (ACIOM118B) PUCK HOLDER (ACIOM117B) PUCK STICKER (ACIOM188) 3M PT1100 - Ø 53mm – Thickness : 1,1mm
--------------------	---

MECHANICAL DRAWINGS



Blue PUCK AI

PUCK HOLDER