

BLUE PUCK DI Mesh



Industrial MESH 2.4 Ghz digital input sensor

BENEFITS

- Simple deployment, maintenance, and expansion
- Digital input management
- Waterproof (IP68)
- Smart & secure programming by NFC
- Over-the-air (OTA) firmware update via network



TECHNICAL SPECIFICATIONS

OPERATING MODE

Frequency	2.4 GHz – BLE channel / Mesh network
Output power Range	Up to +4 dBm (configurable/ smart network) Up to 140 meters openfield (+4 dBm)
Transmission period	Transmission periods 15" to 18H.
Radio frame format	Setting of the 3-byte identifier, address and WIREPAS network channel. BLE Advertising Frame: Transmission Interval, Name and Power.* <i>*Refer to the frames specification for more information.</i>
Settings and configuration	Interface/protocol : NFC (Type 2) Network Configuration and Diagnostics: Wirepas Network Tool software
Autorole mode	Periodic data transmission of digital input state and state change counter
Sensor performance	Digital input: Static state: 3V Controllable by a simple switch High state detection: from 2.1V to 3V Low state detection: de 0V à 0.7V Stage change detector: Immediate transmission at each change of state Input instant status: (1 bit : 1 = closed contact, 0 = open contact) Event counter: Counting the number of passages at 1 of the entry (16 bits)

BATTERY

Power supply	3 VDC - Internal lithium battery
Battery life	Up to 4 years Battery voltage level sent via network and on MQTT Topic* <i>*Refer to the battery life curves for more information.</i>

CERTIFICATIONS

Europe	CE : EN 300 328/EN 300 330, EN 301 489, EN 62311, EN 62368
USA	FCC : FCC PART 15
Canada	ISED : RSS-247/ICES-003
RoHS	Yes

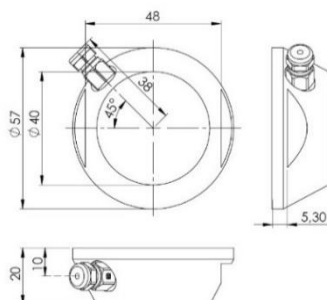
HOUSING

Dimensions	Ø 57mm base – height : 20mm
Weight	41g
Materials	DELRIN (POM C) Compatible with food product (90/128/EEC)
Cable	Provided with 1m cable Red : + White : GND
Waterproof grade	IP68
Operating temperature	-40°C to +85°C

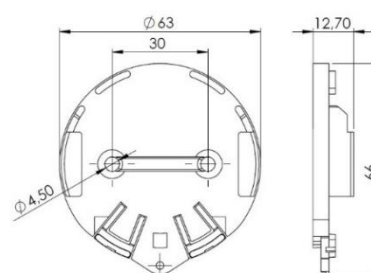
ACCESSORIES

Tag support	PUCK HOLDER STICKER (ACIOM 118B) PUCK HOLDER (ACIOM 117B) PUCK STICKER (ACIOM 188) 3M PT1100 - Ø 53mm – Thickness: 1,1mm
--------------------	---

MECHANICAL DRAWINGS



Blue PUCK DI MESH



PUCK HOLDER