

BLUE PUCK DO

Bluetooth Low Energy Digital Output driver



BENEFITS

- Digital output for external actuator management
- Very high autonomy : up to 20 years
- High transmission range
- Waterproof (IP68)
- Smart & secure programming by NFC
- Over The Air Programming (OTAP)



TECHNICAL SPECIFICATIONS

OPERATING MODE

Frequency	2,4 GHz - Bluetooth Low Energy 4.0/4.2
Output power	Up to +4 dBm (configurable)
Range	Up to 500 meters open field (+4dBm)
Transmission period	Advertising period (0,1 sec to 10 sec – configurable)
Radio frame format	Identifier : 15 charaters max (2 bytes)* <i>* Refer to the frame specifications for more information</i>
Settings and configuration	Interface/protocol: NFC (Type 2)
Connected mode	Datalogger transmission (record of saved sensor measures) / Battery level
Advertising mode	Periodic data transmission
Sensors performance	MOSFET transistor: Range : 0 to 12V (polarized) Maximum output current: 500 mA Rds ON: 0,6 Ohms @ 500 mA Output commands: Activation, deactivation and activation for XX seconds

BATTERY

Power supply	3 VDC - Internal lithium battery
Battery life	Up to 20 years* <i>* Refer to the battery life curves for more information</i>
Battery level	Low battery warning in advertising frames (<15%) Battery voltage in scan response frames (configurable)

CERTIFICATIONS

Europe	CE : EN 300 328/ EN 301 489 & EN 55032 / EN 62368-1
USA	FCC : FCC PART 15
Canada	ISED : RSS-247 / ICES-003
RoHs	Yes

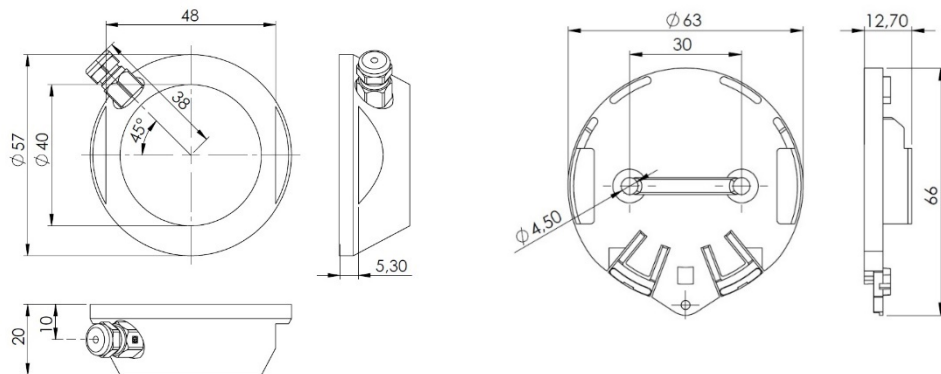
HOUSING

Dimensions	Ø 57 mm base – Height 20 mm
Weight	50g
Materials	DELRIN (POM C) Compatible with food products (90/128/EEC)
Cable	Provided with 1m cable Red : + White : GND
Waterproof grade	IP 68
Operating temperature	-40°C to +85°C

ACCESSORIES

Tag support	PUCK HOLDER STICKER (ACIOM118B) PUCK HOLDER (ACIOM117B) PUCK STICKER (ACIOM188) 3M PT1100 - Ø 53mm – Height : 1,1mm
--------------------	--

MECHANICAL DRAWINGS



BLUE PUCK DO

PUCK HOLDER