

BLUE PUCK ID+ Mesh

Industrial MESH 2.4Ghz location beacon



BENEFITS

- Simple deployment, maintenance, and expansion
- Smart battery management, very high autonomy : up to 20 years
- Pick to Light : High power integrated LED
- Smart & secure programming by NFC
- Over-the-air (OTA) firmware update via network



TECHNICAL SPECIFICATIONS

OPERATING MODE

Frequency	2.4 GHz – BLE channel / Mesh network
Output power	Up to +4 dBm (configurable/ smart network)
Range	Up to 140 meters openfield (+4 dBm)
Transmission period	Setting of the 2 transmission periods (Moving state and static state), 15" to 18H.
Radio frame format	Setting of the 3-byte identifier, address and WIREPAS network channel. BLE Advertising Frame: Transmission Interval, Name and Power.* <i>*Refer to the frames specification for more information.</i>
Settings and configuration	Interface/protocol : NFC (Type 2) Acceleration level for inertial event wake up Network Configuration and Diagnostics: Wirepas Network Tool software
Mobile beacon mode	Periodic transmission of identifier and location data
Anchor beacon mode	Fixed point: fixed mesh network installation; data uploaded wirelessly via network
LED indicator	Controllable via network
Sensor performance	Location accuracy: 5 to 10 meters Accelerometer: Detection of inertial events (extension of battery life) Range: -8g to 8g - Configurable threshold

BATTERY

Power supply	3 VDC - Internal lithium battery
Battery life	Up to 20 years Battery voltage level sent via network and on MQTT Topic* <i>*Refer to the battery life curves for more information.</i>

CERTIFICATIONS

Europe	CE : EN 300 328/EN 300 330, EN 301 489, EN 62311, EN 62368
USA	FCC : FCC PART 15
Canada	ISED : RSS-247/ICES-003
RoHS	Yes

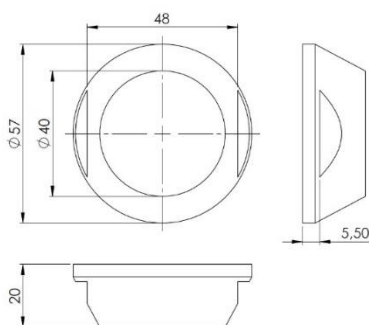
HOUSING

Dimensions	Ø 57mm base – height : 20mm
Weight	41g
Materials	DELFIN (POM C) Compatible with food product (90/128/EEC)
Waterproof grade	IP68
Operating temperature	-40°C to +85°C

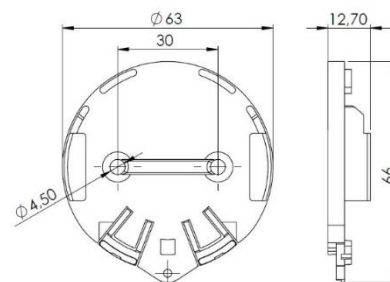
ACCESSORIES

Tag support	PUCK HOLDER STICKER (ACIOM 118B) PUCK HOLDER (ACIOM 117B) PUCK STICKER (ACIOM 188) 3M PT1100 - Ø 53mm – Thickness: 1,1mm
--------------------	---

MECHANICAL DRAWINGS



Blue PUCK ID+ MESH



PUCK HOLDER