

BLUE PUCK MAG

Bluetooth Low Energy magnetic sensor



BENEFITS

- Integrated Hall effect magnetic sensor
- Very high autonomy : up to 14.5 years
- High transmission range
- Waterproof (IP 68)
- Smart & secure programming by NFC
- Over The Air Programming (OTAP)



TECHNICAL SPECIFICATIONS

OPERATING MODE

| | |
|-----------------------------------|---|
| Frequency | 2,4 GHz - Bluetooth Low Energy 4.0/4.2 |
| Output power | Up to +4 dBm (configurable) |
| Range | Up to 500 meters open field (+4dBm) |
| Transmission period | Advertising period (0,1 sec to 10 sec – configurable in seconds) |
| Radio frame format | Identifier : 15 characters max (15 bytes)* Magnetic event counter: Total number of magnetic events detected (15 bits)* Magnetic instantaneous state (1 bit)* <i>*Refer to the frames specifications for more information</i> |
| Settings and configuration | Interface/protocol: NFC (Type 2) |
| Connected mode | Datalogger transmission (record of saved sensor data) Battery level command |
| Advertising mode | Periodic counter and state data transmission. Immediate transmission on change of sensor state. |
| Sensors performance | Hall effect sensor range: 2cm typ. (on the side of the "arrow" symbol) Magnetic event detector: Immediate transmission upon change of sensor state |

BATTERY

| | |
|----------------------|--|
| Power supply | 3 VDC - Internal lithium battery |
| Battery life | Up to 14.5 years* <i>* Refer to the battery life curves for more information</i> |
| Battery level | Low battery warning in advertising frames (<15%) Battery voltage in scan response frames (configurable) |

CERTIFICATIONS

| | |
|---------------|---|
| Europe | CE : EN 300 328/ EN 301 489 & EN 55032 / EN 62368-1 |
| USA | FCC : FCC 15.247 / FCC PT 15B |
| Canada | ISED : RSS-247 / ICES-003 |
| RoHS | Yes |

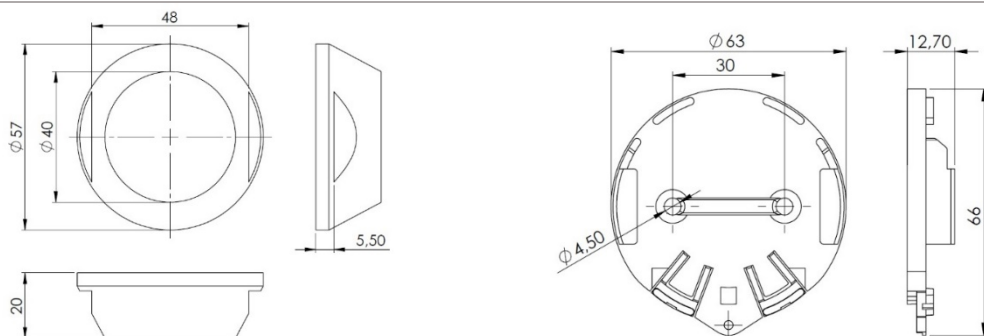
HOUSING

| | |
|------------------------------|---|
| Dimensions | Ø 57 mm base - Height 20 mm |
| Weight | 41g |
| Materials | DELTRIN (POM C) Compatible with food products (90/128/EEC) |
| Waterproof grade | IP 68 |
| Operating temperature | -40°C to +85°C |

ACCESSORIES

| | |
|--------------------|--|
| Tag support | PUCK HOLDER STICKER (ACIOM118B) PUCK HOLDER (ACIOM117B) PUCK STICKER (ACIOM188) 3M PT1100 - Ø 53mm - Height : 1,1mm |
|--------------------|--|

MECANICAL DRAWINGS



BLUE PUCK MAG

PUCK HOLDER