

BLUE WATCH ID+ Mesh



Watch format Mesh 2.4Ghz location beacon

BENEFITS

- Simple deployment, maintenance, and expansion
- Smart battery management
- Pick to Light : High power integrated LED
- Smart & secure programming by NFC
- Over-the-air (OTA) firmware update via network



TECHNICAL SPECIFICATIONS

OPERATING MODE

Frequency	2.4 GHz – BLE channel / Mesh network
Output power	Up to +4 dBm (configurable/ smart network)
Range	Up to 100 meters openfield (+4 dBm)
Transmission period	Setting of the 2 transmission periods (Moving state and static state), 15" to 18H.
Radio frame format	Setting of the 3-byte identifier, address and WIREPAS network channel. BLE Advertising Frame: Transmission Interval, Name and Power.* <i>*Refer to the frames specification for more information.</i>
Settings and configuration	Interface/protocol : NFC (Type 2) Acceleration level for inertial event wake up (32 mg to 8000 mg) Network Configuration and Diagnostics: Wirepas Network Tool software
Mobile beacon mode	Periodic transmission of identifier and location data
Sensor performance	Location accuracy: 5 to 10 meters Accelerometer: Detection of inertial events (extension of battery life) Range: -8g to 8g, configurable threshold

BATTERY

Power supply	3 VDC - Internal lithium battery
Battery life	Up to 6.5 years Battery voltage level sent via network and on MQTT Topic* <i>*Refer to the battery life curves for more information.</i>

CERTIFICATIONS

Europe	CE : EN 300 328/EN 300 330, EN 301 489, EN 62311, EN 62368
USA	FCC : FCC PART 15
Canada	ISED : RSS-247/ICES-003
RoHS	Yes

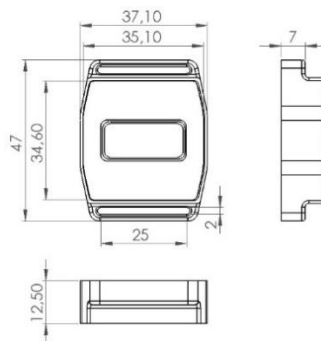
HOUSING

Dimensions	47 X 37,1 X 12.5 mm
Weight	11g
Materials	Polyamide (Nylon) PA12
Waterproof grade	IP55
Operating temperature	-20°C to +55°C

ACCESSORIES

Tag sticker	WATCH STICKER (ACIOM205) Screw & front panel protection label
--------------------	--

MECHANICAL DRAWINGS



Specifications may be modified without any notification. Non-contractual document.