

BLUE WATCH ID

Bluetooth Low Energy beacon watch



BENEFITS

- Designed for mounting on medical bracelet
- Pick-to-light : integrated high power LED
- High autonomy: up to 5 years
- Replaceable battery
- Smart & secure programming by NFC



TECHNICAL SPECIFICATIONS

OPERATING MODE

Frequency	2.4 GHz - Bluetooth Low Energy 4.0/4.2
Output power	Up to +4 dBm (configurable)
Range	Up to 200 meters in open field (+4dBm)
Transmission period	Advertising period (0,1 sec to 10 sec – configurable in seconds)
Radio frame format	Identifier : 15 characters max (15 bytes) Compatible : ID (ELA), iBeacon (Apple) and Eddystone (Google)* <i>*Refer to the frames specification for more information.</i>
Settings and configuration	Interface/protocol : NFC (Type 2)
Connected mode	LED indicator (ON / OFF) command / Battery level
Advertising mode	Periodic transmission of identifier data (beacon mode)

BATTERY

Power supply	3 VDC – Internal lithium battery
Battery life	ID (ELA)/iBeacon(Apple)/Eddystone(Google) : 5 years* <i>*Refer to the battery life curves for more information.</i>
Battery level	Low battery warning in advertising frames (<15%) Battery voltage in scan response frames (configurable)

CERTIFICATIONS

Europe	CE : EN 300 328/EN 300 330 / EN 301 489 / EN 62311 / EN 62368
USA	FCC : FCC PART 15
Canada	ISED : RSS-247/ICES-003
RoHs	Yes

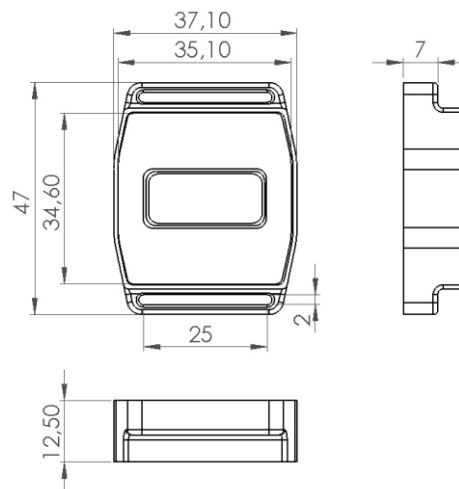
HOUSING

Dimensions	47 X 37,1 X 12.5 mm
Weight	11g
Materials	Polyamide (Nylon) PA12
Waterproof grade	IP 55 (splash proof)
Operating temperature	-20°C to +55°C

ACCESSORIES

Tag sticker	WATCH COVER (ACIOM205) Screw & front panel protection label
--------------------	--

MECHANICAL DRAWINGS



Blue WATCH ID