

## COIN MAG

Active RFID Magnetic Sensor



### BENEFITS

- Configurable tag identifier
- High transmission range
- Autonomy : up to 5 years
- Waterproof (IP68)



## TECHNICAL SPECIFICATIONS

### OPERATING MODE

<b>Frequency Range</b>	433.92 MHz Up to 60 meters open field
<b>Feature</b>	Immediate emission on detection Opening / Closing by magnet
<b>Radio frame format</b>	Immediate transmission of the frame on magnet detection: ID + 12-bit detection information [cccc cccc ccxf] c: 10-bit counter increments each time x: 1-bit not used f: 1-bit of information detection magnet f= 1 magnet detected f= 0 magnet not detected Added user-programmable periodic transmission frame (keep alive feature)
<b>Transmission period</b>	From 220 ms to 12 h configurable
<b>Magnetic sensing distance</b>	12 mm with Magnet 04 Detection only on the side of the symbol (Arrow)
<b>Settings and configuration</b>	By tool SCIEL PROG IR and software ERW

### BATTERY

<b>Power supply</b>	3 VDC – Internal battery CR2032
<b>Autonomie</b>	Up to 5 years* <i>*Refer to the battery life curves for more information</i>
<b>Battery level</b>	Specific code sent at the end of the battery's life: XXX7FF(XXX: ID code)

## CERTIFICATIONS

<b>Europe</b>	EN 300 220 – 2007 : V2.1.2/ EN 301 489 – 3 : 2002 V1.4.1
<b>USA</b>	FCC PART 15 / FCC ID : RVVCOIN10XX
<b>Canada</b>	ISED : RSS-210 / IC ID: 20429 – COIN10XX
<b>RoHs</b>	Yes

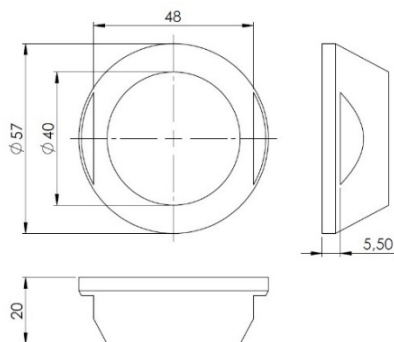
## HOUSING

<b>Dimensions</b>	Ø 57mm base - H :20 mm
<b>Weight</b>	41g
<b>Materials</b>	DELTRIN (POM C) Compatible with food products (90/128/EEC)
<b>Waterproof grade</b>	IP 68
<b>Operating temperature</b>	-30°C to +70°

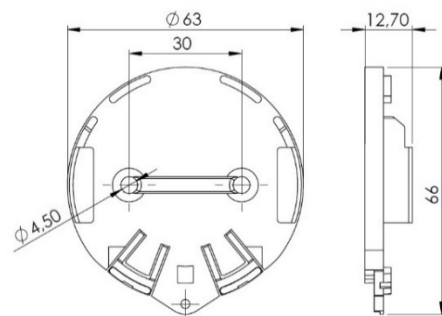
## ACCESSORIES

<b>Tag support and double sided</b>	PUCK HOLDER STICKER (ACIOM118B)
<b>Tag support only</b>	PUCK HOLDER (ACIOM117B)
<b>Double-sided adhesive only</b>	PUCK STICKER (ACIOM188)

## MECHANICAL DRAWINGS



PUCK MAG



PUCK HOLDER