

PUCK ID
Active RFID tag



BENEFITS

- Configurable tag identifier (RW)
- Long range up to 100 m
- Battery lifecycle: up to 10 years
- IP68 Waterproof



TECHNICAL SPECIFICATIONS

OPERATING MODE

| | |
|----------------------------|---|
| Frequency | 433.92 MHz |
| Range | Up to 100m (open field) |
| Transmission period | From 220ms to 12 hours |
| Radio frame format | 24 bits or 32 bits |
| Settings | ID Code – Emission cycle –Activation/Deactivation |
| Configuration | By SCIEL PROG IR tool and ERW software |
| Compatibility | SCIEL Reader Family |

BATTERY

| | |
|--------------------------|--|
| Supply voltage | 3 VDC – Internal lithium battery |
| Battery lifecycle | Up to 10 years* <i>*Refer to battery lifecycle curves</i> |
| Low battery alert | Specific ID code for low level of battery |

CERTIFICATIONS

| | |
|---------------|---|
| Europe | EN 300 220 – 2012 : V2.4 .1/ EN 301 489 – 3 : 2013 V1.6.1 |
| RoHs | Yes |

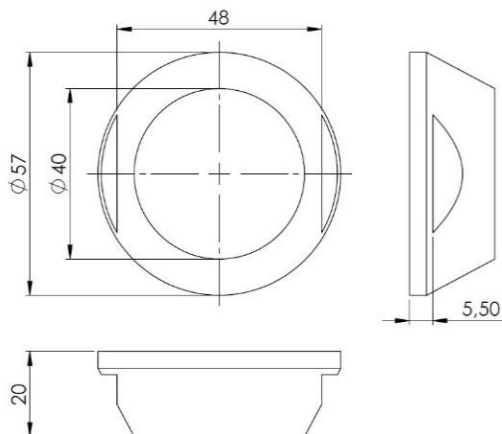
HOUSING

| | |
|------------------------------|---|
| Dimensions | Ø 57 mm base – h : 20 mm |
| Weight | 41g |
| Materials | DELTRIN (POM C) Compatible with food product (90/128/EEC) |
| Waterproof grade | IP 68 |
| Operating temperature | -40°C to +85°C |

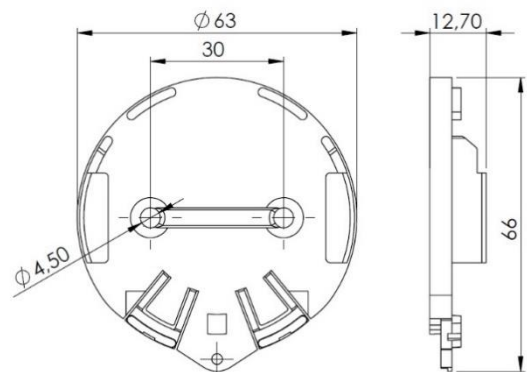
ACCESSORIES

| | |
|--|---------------------------------|
| Tag support & double sided adhesive | PUCK HOLDER STICKER (ACIOM118B) |
| Tag support only | PUCK HOLDER(ACIOM117B) |
| Double sided adhesive only | PUCK STICKER (ACIOM188) |

MECHANICAL DRAWINGS



PUCK ID



PUCK HOLDER