

PUCK MOV

Active RFID Motion Sensor



BENEFITS

- Configurable motion detector
- High transmission range
- Autonomy : up to 10 years
- Waterproof (IP68)

TECHNICAL SPECIFICATIONS

OPERATING MODE

Frequency	433.92 MHz
Range	Up to 100 meters open field
Feature	Motion detection Angle crossing Tilt
Transmission period	From 220 ms to 12 h configurable
Radio frame format	<p>Motion detection : 12b ID + 12b MOVX (24 bits)* 20b ID + 12b MOVX (32 bits)*</p> <p>Angle crossing : 12b ID + 10b Counter + 2b Crossing information (24 bits)* 20b ID + 10b Counter + 2b Crossing information (32 bits)*</p> <p>Tilt : 12b ID + 12b ANG (24 bits)* 20b ID + 12b ANG (32 bits)*</p> <p><i>* Refer to the frames specifications for more information</i></p>
Settings and configuration	By tool SCIEL PROG IR and software ERW

BATTERY

Power supply	3,6 VDC – Battery Li-SOCI2
Battery life	Up to 10 years* <i>*Refer to the battery life curves for more information</i>
Battery level	Specific code sent at the end of the battery's life: XXX7FF (XXX: ID code)

CERTIFICATIONS

Europe	EN 300 220 – 2012 : V2.4 .1/ EN 301 489 – 3 : 2013 V1.6.1
RoHs	Yes

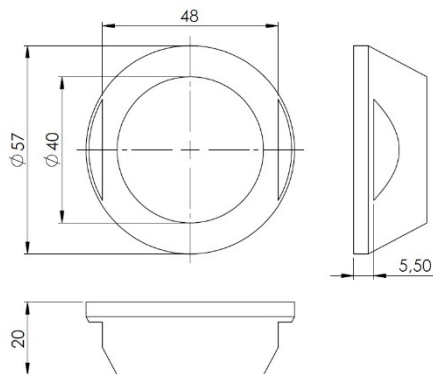
HOUSING

Dimensions	Ø 57mm base - height 20 mm
Weight	41g
Materials	DELIRIN (POM C) Compatible with food products (90/128/EEC)
Waterproof grade	IP 68
Operating temperature	-40°C to +85°C

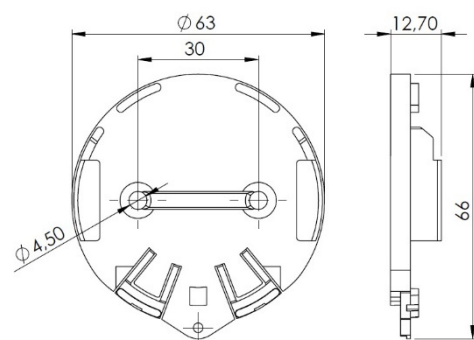
ACCESSORIES

Tag support and double-sided	PUCK HOLDER STICKER (ACIOM118B)
Tag support only	PUCK HOLDER (ACIOM117B)
Double-sided adhesive only	PUCK STICKER (ACIOM188)

MECHANICAL DRAWINGS



PUCK MOV



PUCK HOLDER