

## PUCK T

RFID Actif temperature sensors



### BENEFITS

- Large transmission range: up to 100 m
- Autonomy: up to 10 years
- Waterproof (IP68)



## TECHNICAL SPECIFICATIONS

### OPERATING MODE

<b>Frequency</b>	433.92 MHz
<b>Range</b>	Up to 100 meters open field
<b>Transmission period</b>	From 220 ms to 12 h configurable
<b>Radio frame format</b>	Identifier : 12b ID + 12b T°C (24 bits)* 20b ID + 12b T°C (32 bits)* <i>* Refer to the frames specifications for more information</i>
<b>Settings and configuration</b>	By tool SCIEL PROG IR and software ERW
<b>Sensors performance</b>	<b>Domain</b> : - 40 to +85°C <b>Resolution</b> : 0,0625 °C <b>Precision</b> : ± 0.5°C maximum (-25°C to +85°C) ± 1°C maximum (-40°C to -25°C) <b>Calibration</b> : configurable 3-point calibration coefficients (Polynomial 2)

### BATTERY

<b>Power supply</b>	3,6 VDC – Battery Li-SOCI2
<b>Battery life</b>	Up to 10 years* <i>* Refer to the battery life curves for more information</i>
<b>Battery level</b>	Specific code sent at the end of the battery's life: XXX7FF (XXX: ID code)

### CERTIFICATIONS

<b>Europe</b>	EN 300 220 – 2012 : V2.4 .1/ EN 301 489 – 3 : 2013 V1.6.1
<b>RoHs</b>	Yes

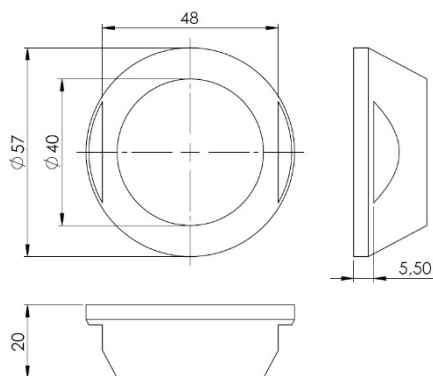
### HOUSING

<b>Dimensions</b>	Ø 57mm base – Height 20 mm
<b>Weight</b>	41g
<b>Materials</b>	DELIRIN (POM C) Compatible with food products (90/128/EEC)
<b>Waterproof grade</b>	IP 68
<b>Operating temperature</b>	-40°C to +85°C

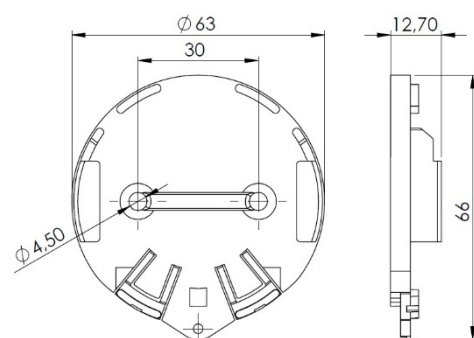
### ACCESSORIES

<b>Tag support and double-sided</b>	PUCK HOLDER STICKER (ACIOM118B)
<b>Tag support only</b>	PUCK HOLDER (ACIOM117B)
<b>Double-sided adhesive only</b>	PUCK STICKER (ACIOM188)

### MECHANICAL DRAWINGS



PUCK T



PUCK HOLDER