

SLENDER III

Active RFID antenna



BENEFITS

- Semi directional
- +7 dBi Gain (minimum)
- Linear polarization antenna



TECHNICAL SPECIFICATIONS

OPERATING MODE

Frequency	405-450 MHz
Gain	+7dBi (minimum)
VSWR	2:1 (typ) 2.5:1 (max) @ 405-415MHz 1.5:1 (typ) 1.7:1 (max) @ 415-440MHz 2:1 (typ) 2.5:1 (max) @ 440-450MHz
Polarization	Linear vertical
Return Loss	-17,2 dB @ 433MHz* * See "MAX Return loss vs. Freq" graph
Input impedance	50Ω
Power	6W (maximum)
Opening angle in -3dB	E plan : 68° H plan : 70°

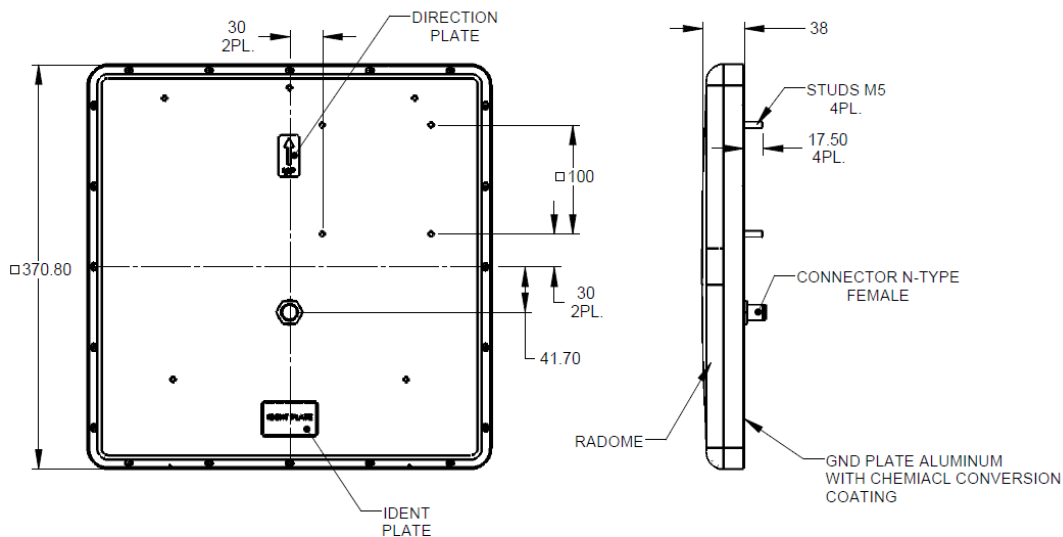
CERTIFICATIONS

Europe	CE 0682
RoHs	Yes

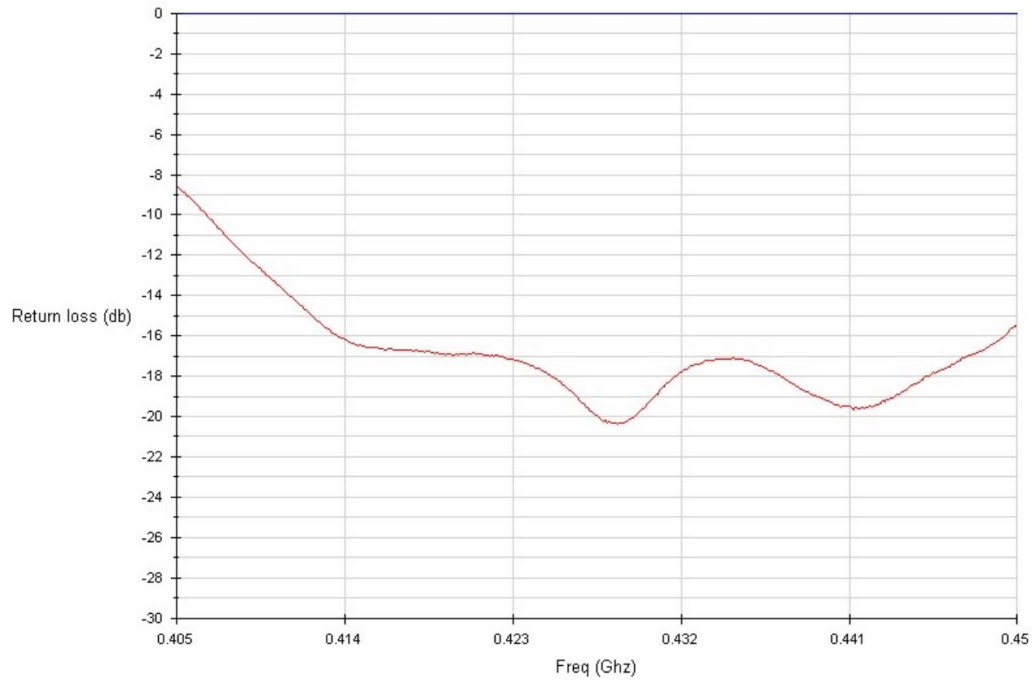
HOUSING

Dimensions	370 x 370 x 40mm
Weight	2Kg
Waterproof grade	IP67
Materials	Aluminium housing and plastic hood
Connector	N-Type female
Mounting	Wall mounting kit
Temperature	-55°C to +71°C
Surface exposed to the wind	0.14m ²
Solar radiation	ASTM G53 : 1000 h
Quasi random vibration	20g rms for 4h
Mechanical shock operating	10g, 11msec msechalf sine pulse
Lightning Protection	DC Earth

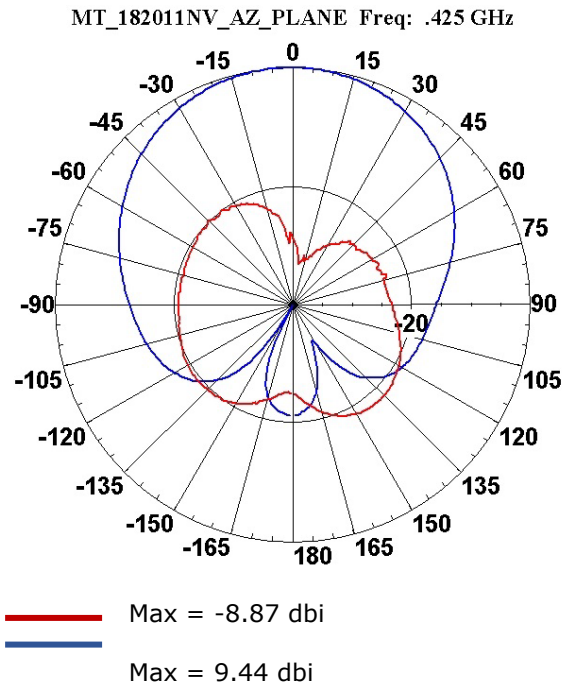
MECHANICAL DRAWINGS



MAX Return loss vs. Freq (GHz)



Azimuth Radiation Pattern Midband
Freq. 0.425 GHz



Elevation Radiation Pattern Midband
Freq. 0.425 GHz

