

WATCH ID

Watch format active RFID tag



BENEFITS

- Configurable tag identifier (RW)
- Long range up to 60 m
- Battery lifecycle: up to 10 years
- Watch housing format



TECHNICAL SPECIFICATIONS

OPERATING MODE

Frequency	433.92 MHz
Range	Up to 60m (open field)
Transmission period	From 220ms to 12 hours
Radio frame format	24 bits or 32 bits
Settings	ID Code – Emission cycle – Activation/Deactivation
Configuration	By SCIEL PROG IR tool and ERW software
Compatibility	SCIEL Reader Family

BATTERY

Supply voltage	3 VDC – Internal lithium battery
Battery lifecycle	Up to 10 years* <i>*Refer to battery lifecycle curves</i>
Low battery alert	Specific ID code for low level of battery

CERTIFICATIONS

RoHs Yes

HOUSING

Dimensions 47 X 37,1 X 12.5 mm

Weight 11g

Waterproof grade Polyamide (Nylon) PA12

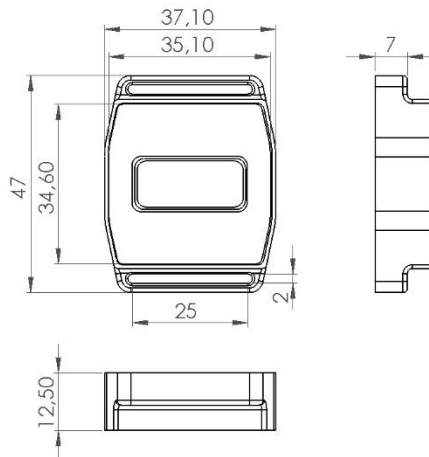
Materials IP 55

Operating temperature -30°C to +50°C

ACCESSORIES

Protective label WATCH COVER (ACIOM205)

MECHANICAL DRAWINGS



WATCH ID