

Blue COIN MAG

Bluetooth Low Energy Magnetic sensor



BENEFITS

- Integrated Hall effect magnetic sensor
- High autonomy : up to 3,5 years
- Waterproof (IP68)
- Smart & secure programming by NFC
- Over The Air Programming (OTAP)
- Dynamic Advertising period
- BAF compatible depending on



TECHNICAL SPECIFICATIONS

OPERATING MODE

Frequency	2.4 GHz - Bluetooth Low Energy 4.0/4.2
Output power	Up to +4 dBm (configurable)
Range	Up to 200 meters in open field (+4dBm)
Transmission period	2 advertising periods can be configured (value between 0,1 and 86400 seconds). Transition from one to another according to configurable sensor threshold
Radio frame format	ELA ID (15 bytes identifier) ELA MAG (15 bytes identifier + 15 bits event counter + 1 bit sensor state) <i>Other frame format available on request. Refer to the frames specifications for more information</i>
Parameters and configuration	Interface/protocole : NFC (Type 2)
Connected mode	Datalogger transmission (record of saved sensor data) Battery level command
Sensor performance	Hall effect sensor range: 2cm typ.(on the side of the "arrow" symbol) Magnetic event detector: Immediate transmission upon change of sensor state

BATTERY

Power supply	3 VDC - Internal lithium battery
Battery life	Up to 3,5 years* <i>*Refer to the battery life curves for more information.</i>
Battery level	Low battery warning in advertising frames (<15%) Battery voltage in scan response frames (configurable)

CERTIFICATIONS

Europe	CE / EN 300 330, EN 301 489, EN 62311, EN 62368
UK	UKCA
USA	FCC : FCC PART 15
Canada	ISED : RSS-247/ICES-003
RoHS/REACH	Yes

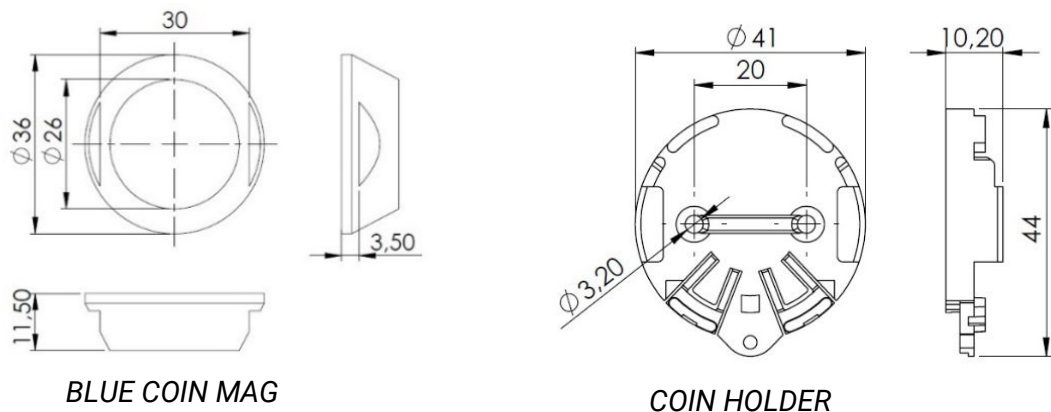
HOUSING

Dimensions	Ø 36mm base - Thickness 11,5mm
Weight	13g
Materials	DELIRIN (POM C) Compatible with food products (90/128/EEC)
Waterproofness	IP 68
Operating temperature	-30°C to +70°C

ACCESSORIES

Tag support	<p>Holder + double-sided adhesive: COIN HOLDER STICKER (ACIOM92C)</p> <p>Holder only: COIN HOLDER (ACIOM91)</p> <p>Double-sided adhesive only: COIN STICKER (ACIOM187) 3M PT1100 - Ø 34mm – Thickness: 1,1mm</p>
-------------	---

MECHANICAL DRAWINGS



AVAILABLE REFERENCES

Ref	Description
IDF10243-01A	Blue Coin MAG IP68
IDF10243-02A	Blue Coin MAG Bluetooth advanced features ready version & IP68