

# Blue COIN T



## Bluetooth Low Energy temperature sensor

### BENEFITS

- Integrated Temperature sensor
- High autonomy : up to 5 years
- Waterproof (IP68)
- Smart & secure programming by NFC
- Over The Air Programming (OTAP)
- Dynamic Advertising period
- BAF compatible depending on configuration



## TECHNICAL SPECIFICATIONS

### OPERATING MODE

<b>Frequency</b>	2.4 GHz - Bluetooth Low Energy 4.0/4.2
<b>Output power</b>	Up to +4 dBm (configurable)
<b>Range</b>	Up to 200 meters in open field (+4dBm)
<b>Transmission period</b>	2 advertising periods can be configured (value between 0,1 and 86400 seconds). Transition from one to another according to configurable sensor threshold
<b>Radio frame format</b>	<b>ELA ID</b> (15 bytes identifier) <b>ELA T</b> (15 bytes identifier + 2 bytes Temperature (in 0.01°C))  <i>Other frame format available on request. Refer to the frames specifications for more informations</i>
<b>Parameters and configuration</b>	Interface/protocole : NFC (Type 2) or Bluetooth connected mode
<b>Connected mode</b>	Datalogger transmission (record of saved sensor data) / Battery level
<b>Sensor performance</b>	<b>Range:</b> -30°C to 70°C <b>Resolution:</b> 0,0625 °C <b>Accuracy:</b> ±0.5°C maximum (0°C to 65 °C) ±1°C maximum (-30°C to 0°C and 65°C to 70°C) <b>Calibration:</b> Configurable 3-point calibration coefficients (Polynomial 2 <sup>nd</sup> degree)

### BATTERY

<b>Power supply</b>	3 VDC - Internal lithium battery
<b>Battery life</b>	Up to 5 years* <i>*Refer to the battery life curves for more information.</i>
<b>Battery level</b>	Low battery warning in advertising frames (<15%) Battery voltage in scan response frames (configurable)

**CERTIFICATIONS**

<b>Europe</b>	CE / EN 300 330 / EN 301 489 / EN 62311 / EN 62368
<b>UK</b>	UKCA
<b>USA</b>	FCC : FCC PART 15
<b>Canada</b>	ISED : RSS-247/ICES-003
<b>RoHs/REACH</b>	Yes

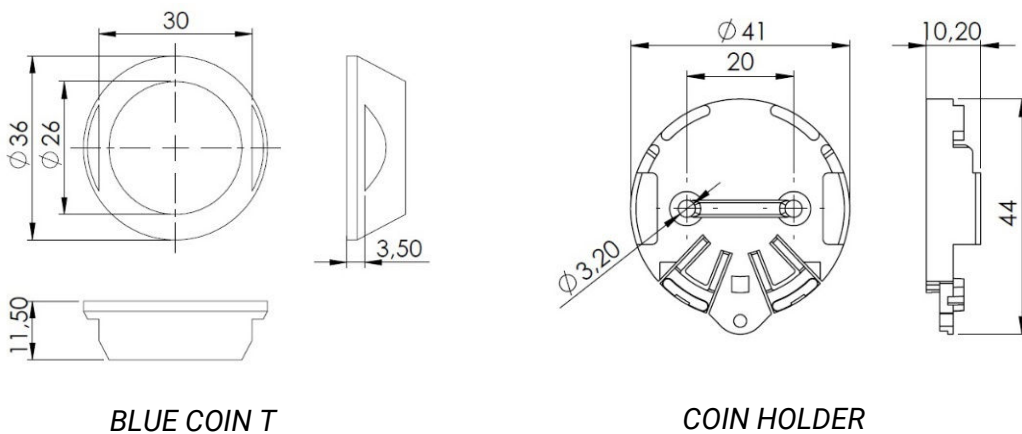
**HOUSING**

<b>Dimensions</b>	Ø 36mm base - thickness 11,5mm
<b>Weight</b>	13g
<b>Materials</b>	DELRIN (POM C ) Compatible with food products (90/128/EEC)
<b>Waterproofness</b>	IP 68
<b>Operating temperature</b>	-30°C to +70°C

**ACCESSORIES**

<b>Support du tag</b>	<p><b>Holder + double-sided adhesive:</b> COIN HOLDER STICKER (ACIOM92C)</p> <p><b>Holder only:</b> COIN HOLDER (ACIOM91)</p> <p><b>Double-sided adhesive only:</b> COIN STICKER (ACIOM187)</p> <p>3M PT1100 - Ø 34mm – Thickness: 1,1mm</p>
-----------------------	--

**MECHANICAL DRAWINGS**



**AVAILABLE REFERENCES**

Ref	Description
IDF10241-01A	Blue Coin T IP68
IDF10241-02A	Blue Coin T Bluetooth advanced features ready version & IP68