

# Blue PUCK DI Mesh



Industrial MESH 2.4 Ghz digital input sensor

## BENEFITS

- Simple deployment, maintenance, and expansion
- Digital input management
- Waterproof (IP65)
- Smart & secure programming by NFC
- Over-the-air (OTA) firmware update via network



## TECHNICAL SPECIFICATIONS

### OPERATING MODE

<b>Frequency</b>	2.4 GHz – BLE channel / Mesh network
<b>Output power Range</b>	Up to +4 dBm (Smart network) Up to 140 meters open field (+4 dBm)
<b>Transmission period</b>	Transmission periods 15" to 18H.
<b>Radio frame format</b>	Setting of the 3-byte identifier, WIREPAS Network Address and Channel.
<b>Settings and configuration</b>	Interface/protocol : NFC (Type 2) Network Configuration and Diagnostics: Wirepas Network Tool software
<b>Autorole mode</b>	Periodic data transmission of digital input state and state change counter
<b>Sensor performance</b>	<b>Digital input:</b> High state detection: from 2.1V to 3V Low state detection: de 0V à 0.7V <b>Stage change detector:</b> Immediate transmission at each change of state Input instant status:(1 bit : 1 = closed contact, 0 = open contact) <b>Event counter:</b> Counting the number of passages at 1 of the entry (16 bits)

### BATTERY

<b>Power supply</b>	3 VDC - Internal lithium battery
<b>Battery life</b>	Up to 4 years Battery voltage level sent via network and on MQTT Topic* <i>*Refer to the battery life curves for more information.</i>

**CERTIFICATIONS**

<b>Europe</b>	CE : EN 300 328/EN 300 330, EN 301 489, EN 62311, EN 62368
<b>UK</b>	UKCA
<b>USA</b>	FCC : FCC PART 15
<b>Canada</b>	ISED : RSS-247/ICES-003
<b>RoHS</b>	Yes

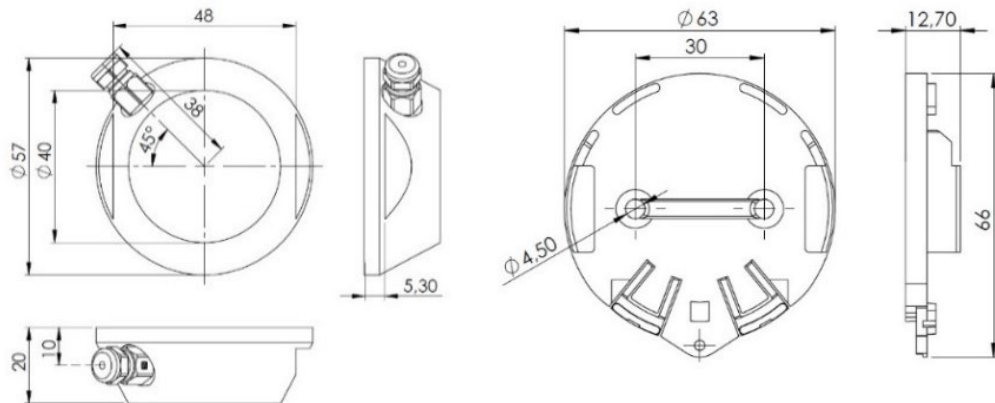
**HOUSING**

<b>Dimensions</b>	Ø 57mm base – Height : 20mm
<b>Weight</b>	41g
<b>Materials</b>	DELRIN (POM C) Compatible with food product (90/128/EEC) Provided with 1m cable
<b>Cable</b>	Red : + White : GND
<b>Waterproof grade</b>	IP65 (Open version excluded)
<b>Operating temperature</b>	-40°C to +85°C

**ACCESSORIES**

<b>Tag support</b>	PUCK HOLDER STICKER (ACIOM 118B) PUCK HOLDER (ACIOM 117B) PUCK STICKER (ACIOM 188) 3M PT1100 - Ø 53mm – Thickness: 1,1mm
--------------------	---

**MECHANICAL DRAWINGS**



*Blue PUCK DI MESH*

*PUCK HOLDER*

**AVAILABLE REFERENCES**

Ref	Description
IDF25446-01A	Blue Puck DI MESH STACK WP4 compatible & IP65
IDF25446-02A	Blue Puck DI MESH STACK WP4 compatible OPEN version
IDF25446-03A	Blue Puck DI MESH STACK WP5 compatible & IP65
IDF25446-04A	Blue Puck DI MESH STACK WP5 compatible OPEN version