

## Blue PUCK MAG



Bluetooth Low Energy magnetic sensor

### BENEFITS

- Integrated Hall effect magnetic sensor
- Very high autonomy : up to 14.5 years
- High transmission range
- Waterproof (IP 68)
- Smart & secure programming by NFC
- Over The Air Programming (OTAP)
- Dynamic Advertising period
- BAF compatible depending on configuration



## TECHNICAL SPECIFICATIONS

### OPERATING MODE

|                                     |   |
|-------------------------------------|---|
| <b>Frequency</b>                    | 2,4 GHz - Bluetooth Low Energy 4.0/4.2  |
| <b>Output power</b>                 | Up to +4 dBm (configurable)   |
| <b>Range</b>                        | Up to 500 meters open field (+4dBm)   |
| <b>Transmission period</b>          | 2 advertising periods can be configured (value between 0,1 and 86400 seconds). Transition from one to another according to configurable sensor threshold  |
| <b>Radio frame format</b>           | <b>ELA ID</b> (15 bytes identifier)<br><b>ELA MAG</b> (15 bytes identifier + 15 bits event counter + 1 bit sensor state)<br><br><i>Other frame format available on request. Refer to the frames specifications for more information</i> |
| <b>Parameters and configuration</b> | Interface/protocol: NFC (Type 2)  |
| <b>Connected mode</b>               | Datalogger transmission (record of saved sensor data)<br>Battery level command  |
| <b>Sensors performance</b>          | <b>Hall effect sensor range:</b> 2cm typ. (on the side of the "arrow" symbol)<br><b>Magnetic event detector:</b> Immediate transmission upon change of sensor state   |

### BATTERY

|                      |  |
|----------------------|--|
| <b>Power supply</b>  | 3 VDC - Internal lithium battery   |
| <b>Battery life</b>  | <b>Up to 14.5 years*</b><br><i>* Refer to the battery life curves for more information</i>                 |
| <b>Battery level</b> | Low battery warning in advertising frames (<15%)<br>Battery voltage in scan response frames (configurable) |

**CERTIFICATIONS**

|            |  |
|------------|--|
| Europe     | CE /EN 300 328/ EN 301 489 & EN 55032 / EN 62368-1 |
| UK         | UKCA   |
| USA        | FCC : FCC 15.247 / FCC PT 15B                      |
| Canada     | ISED : RSS-247 / ICES-003                          |
| Japan      | TELEC  |
| RoHS/REACH | Yes  |

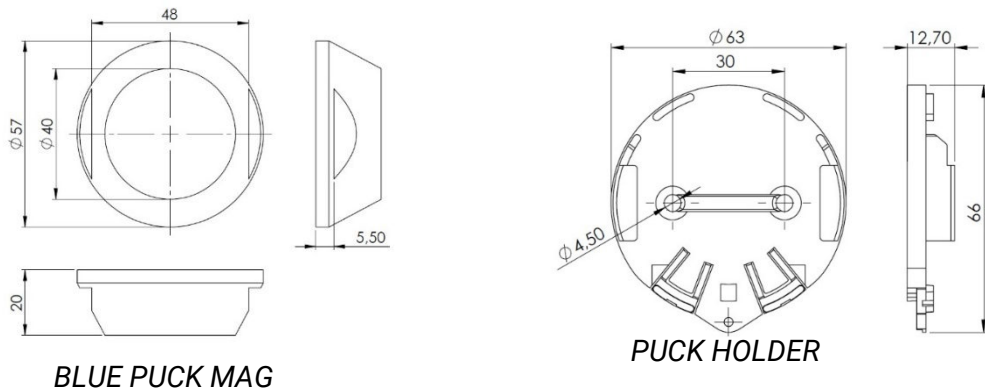
**HOUSING**

|                       |  |
|-----------------------|--|
| Dimensions            | Ø 57 mm base - Thickness 20 mm                             |
| Weight                | 41g  |
| Materials             | DELTRIN (POM C) Compatible with food products (90/128/EEC) |
| Waterproofness        | IP 68  |
| Operating temperature | -40°C to +85°C   |

**ACCESSORIES**

|             |   |
|-------------|---|
| Tag support | <p><b>Holder + double-sided adhesive:</b><br/>PUCK HOLDER STICKER (ACIOM118B)</p> <p><b>Holder only:</b><br/>PUCK HOLDER (ACIOM117B)</p> <p><b>Double-sided adhesive only:</b><br/>PUCK STICKER (ACIOM188)</p> <p>3M PT1100 - Ø 55mm – Thickness: 1,1mm</p> |
|-------------|---|

**MECANICAL DRAWINGS**



**AVAILABLE REFERENCES**

| Ref          | Description  |
|--------------|--|
| IDF25243-01A | Blue Puck MAG IP68   |
| IDF25243-02A | Blue Puck MAG Bluetooth advanced features ready version & IP68 |