

## Blue PUCK MAG



### Bluetooth Low Energy magnetic sensor

#### BENEFITS

- Integrated Hall effect magnetic sensor
- Very high autonomy : up to 14.5 years
- High transmission range
- IP69K (high pressure washing) & IP 68 waterproof level
- Smart & secure programming by NFC
- Over The Air Programming (OTAP)
- Dynamic Advertising period
- BAF compatible depending on configuration



## TECHNICAL SPECIFICATIONS

### OPERATING MODE

<b>Frequency</b>	2,4 GHz - Bluetooth Low Energy 4.0/4.2
<b>Output power</b>	Up to +4 dBm (configurable)
<b>Range</b>	Up to 500 meters open field (+4dBm)
<b>Transmission period</b>	2 advertising periods can be configured (value between 0,1 and 86400 seconds). Transition from one to another according to configurable sensor threshold
<b>Radio frame format</b>	<b>ELA ID</b> (15 bytes identifier) <b>ELA MAG</b> (15 bytes identifier + 15 bits event counter + 1 bit sensor state)  <i>Other frame format available on request. Refer to the frames specifications for more information</i>
<b>Parameters and configuration</b>	Interface/protocol: NFC (Type 2)
<b>Connected mode</b>	Datalogger transmission (record of saved sensor data) Battery level command
<b>Sensors performance</b>	<b>Hall effect sensor range:</b> 2cm typ. (on the side of the "arrow" symbol) <b>Magnetic event detector:</b> Immediate transmission upon change of sensor state

### BATTERY

<b>Power supply</b>	3 VDC - Internal lithium battery
<b>Battery life</b>	<b>Up to 14.5 years*</b> <i>* Refer to the battery life curves for more information</i>
<b>Battery level</b>	Low battery warning in advertising frames (<15%) Battery voltage in scan response frames (configurable)

**CERTIFICATIONS**

Europe	CE /EN 300 328/ EN 301 489 & EN 55032 / EN 62368-1
UK	UKCA
USA	FCC : FCC 15.247 / FCC PT 15B
Canada	ISED : RSS-247 / ICES-003
Japan	TELEC
RoHS/REACH	Yes

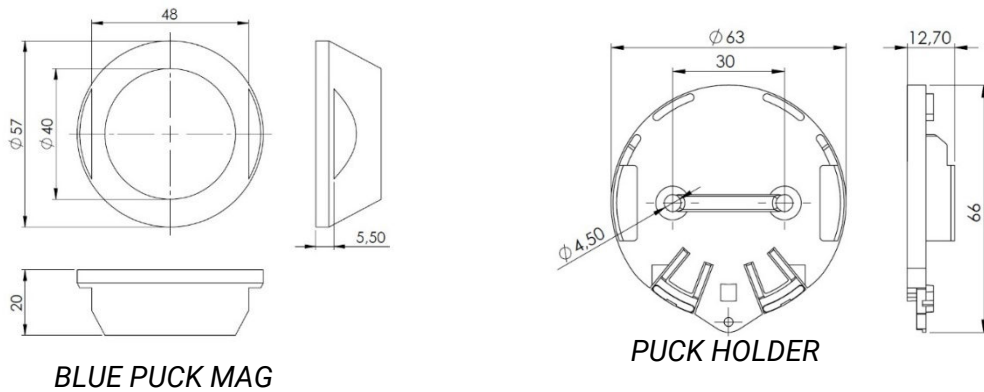
**HOUSING**

Dimensions	Ø 57 mm base - Thickness 20 mm
Weight	41g
Materials	DELTRIN (POM C) Compatible with food products (90/128/EEC)
Waterproofness	IP69K (for high pressure washing) & IP 68
Operating temperature	-40°C to +85°C

**ACCESSORIES**

Tag support	<p><b>Holder + double-sided adhesive:</b> PUCK HOLDER STICKER (ACIOM118B)</p> <p><b>Holder only:</b> PUCK HOLDER (ACIOM117B)</p> <p><b>Double-sided adhesive only:</b> PUCK STICKER (ACIOM188) 3M PT1100 - Ø 55mm – Thickness: 1,1mm</p>
-------------	--

**MECANICAL DRAWINGS**



**AVAILABLE REFERENCES**

Ref	Description
IDF25243-06A	Blue PUCK MAG IP69K
IDF25243-06A	Blue PUCK MAG Bluetooth advanced features ready version & IP69K