

Blue PUCK T-PROBE



Bluetooth Low Energy temperature sensor BENEFITS

- Approved EN12830 v2018
- Very high autonomy : up to 14 years
- High transmission range
- Waterproof : Casing IP65 / Probe : IP68
- Smart & secure programming by NFC
- Over The Air Programming (OTAP)
- Dynamic Advertising period
- BAF compatible depending on configuration



Including a 1m cable

TECHNICAL SPECIFICATIONS

OPERATING MODE

Frequency	2,4 GHz - Bluetooth Low Energy 4.0/4.2
Output power	Up to +4 dBm (configurable)
Range	Up to 500 meters open field (+4dBm)
Transmission period	2 advertising periods can be configured (value between 0,1 and 86400 seconds). Transition from one to another according to configurable sensor threshold
Radio frame format	ELA ID (15 bytes identifier) ELA T (15 bytes identifier + 2 bytes Temperature (in 0.01°C)) <i>Other frame format available on request. Refer to the frames specifications for more informations</i>
Settings and configuration	Interface/protocol : NFC (Type 2)
Connected mode	Datalogger download /Battery level command
Sensors performance	Range : -80 to +200 °C Resolution : 0.1 °C Accuracy : ±0.5 °C typical (-30°C to +60°C) ±1°C typical (-40°C to +150°C) ±2°C typical (-80°C to +200°C) Calibration Configurable 3-points calibration coefficients Calibration in Factory COFRAC accredited calibration as an option

BATTERY

Power supply	3 VDC – Internal lithium battery
Battery life	Up to 14 years* <i>*Refer to the battery life curves for more information</i>
Battery level	Low battery warning in advertising frames (<15%)

CERTIFICATIONS

Europe	CE / EN 301 489 & EN 55032 / EN 62368-1 EN12830 (temperature recorders)
UK	UKCA
USA	FCC : FCC PART 15
Canada	ISED : RSS-247 / ICES-003
RoHs	Yes

HOUSING

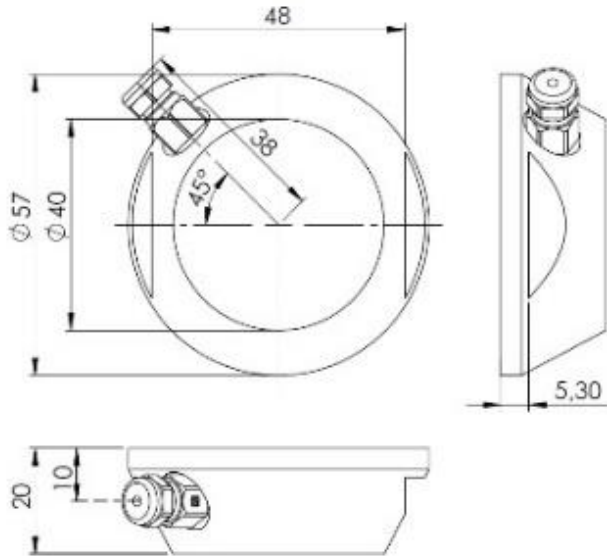
Dimensions	PUCK housing : Ø 57 mm base - height 20 mm Probe : Ø 3 mm – Length 28 mm – M8 Cable : 1 m
Weight	63 g
Materials	PUCK housing : DELRIN (POM C) Compatible with food products (90/128/EEC) Probe : Stainless steel Cable : Teflon (1m)
Waterproof grade	PUCK housing : IP 65 Probe : IP68
Operating /storage temperature	PUCK housing : -40°C to +85°C Probe : -80°C – +200°C



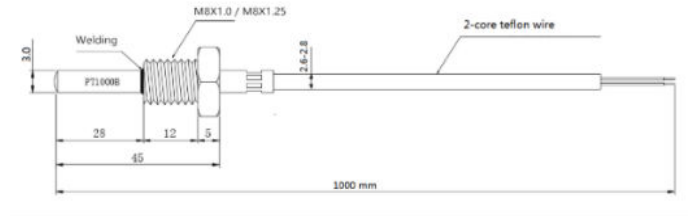
ACCESSORIES

Tag support	Holder + double-sided adhesive: PUCK HOLDER STICKER (ACIOM118B) Holder only: PUCK HOLDER (ACIOM117B) Double-sided adhesive only: PUCK STICKER (ACIOM188) 3M PT1100 - Ø 55mm – Thickness: 1,1mm
--------------------	---

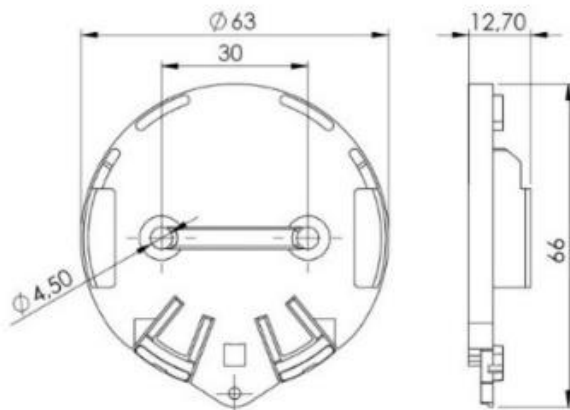
MECHANICAL DRAWINGS



PUCK HOUSING



PROBE PT1000



PUCK HOLDER

AVAILABLE REFERENCES

Ref	Description
IDF25250-01A	Blue Puck T-Probe IP65
IDF25250-02A	Blue Puck T-Probe Bluetooth advanced features ready version & IP65