

## Blue PUCK T-PROBE



### Bluetooth Low Energy temperature sensor BENEFITS

- Approved EN12830 v2018
- Very high autonomy : up to 14 years
- High transmission range
- Waterproof : Casing IP65 / Probe : IP68
- Smart & secure programming by NFC
- Over The Air Programming (OTAP)
- Dynamic Advertising period
- BAF compatible depending on configuration



Including a 1m cable

## TECHNICAL SPECIFICATIONS

### OPERATING MODE

<b>Frequency</b>	2,4 GHz - Bluetooth Low Energy 4.0/4.2
<b>Output power</b>	Up to +4 dBm (configurable)
<b>Range</b>	Up to 500 meters open field (+4dBm)
<b>Transmission period</b>	2 advertising periods can be configured (value between 0,1 and 86400 seconds). Transition from one to another according to configurable sensor threshold
<b>Radio frame format</b>	<b>ELA ID</b> (15 bytes identifier) <b>ELA T</b> (15 bytes identifier + 2 bytes Temperature (in 0.01°C))  <i>Other frame format available on request. Refer to the frames specifications for more informations</i>
<b>Settings and configuration</b>	Interface/protocol : NFC (Type 2)
<b>Connected mode</b>	Datalogger download /Battery level command
<b>Sensors performance</b>	<b>Range</b> : -80 to +200 °C <b>Resolution</b> : 0.1 °C <b>Accuracy</b> : ±0.5 °C typical (-30°C to +60°C) ±1°C typical (-40°C to +150°C) ±2°C typical (-80°C to +200°C) <b>Calibration</b> Configurable 3-points calibration coefficients Calibration in Factory COFRAC accredited calibration as an option

## BATTERY

<b>Power supply</b>	3 VDC – Internal lithium battery
<b>Battery life</b>	<b>Up to 14 years*</b> <i>*Refer to the battery life curves for more information</i>
<b>Battery level</b>	Low battery warning in advertising frames (<15%)

## CERTIFICATIONS

<b>Europe</b>	CE / EN 301 489 & EN 55032 / EN 62368-1 EN12830 (temperature recorders)
<b>UK</b>	UKCA
<b>USA</b>	FCC : FCC PART 15
<b>Canada</b>	ISED : RSS-247 / ICES-003
<b>RoHs</b>	Yes

## HOUSING

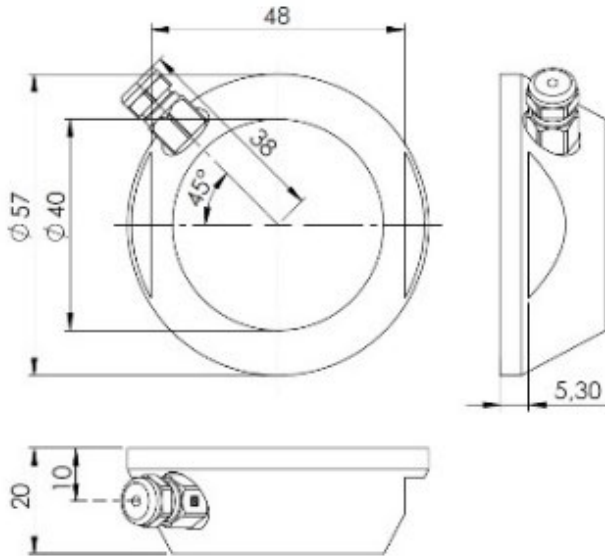
<b>Dimensions</b>	<b>PUCK housing</b> : Ø 57 mm base - height 20 mm <b>Probe</b> : Ø 3 mm – Length 28 mm – M8 <b>Cable</b> : 1 m
<b>Weight</b>	63 g
<b>Materials</b>	<b>PUCK housing</b> : DELRIN (POM C) Compatible with food products (90/128/EEC) <b>Probe</b> : Stainless steel <b>Cable</b> : Teflon (1m)
<b>Waterproof grade</b>	<b>PUCK housing</b> : IP 65 <b>Probe</b> : IP68
<b>Operating /storage temperature</b>	<b>PUCK housing</b> : -40°C to +85°C <b>Probe</b> : -80°C – +200°C



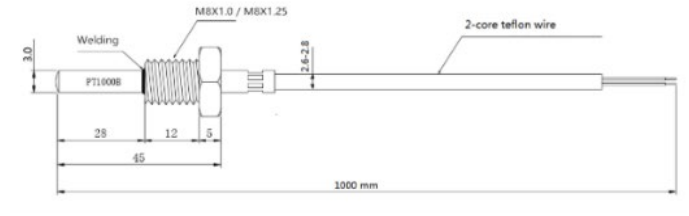
## ACCESSORIES

<b>Tag support</b>	<b>Holder + double-sided adhesive:</b> PUCK HOLDER STICKER (ACIOM118B) <b>Holder only:</b> PUCK HOLDER (ACIOM117B) <b>Double-sided adhesive only:</b> PUCK STICKER (ACIOM188) 3M PT1100 - Ø 55mm – Thickness: 1,1mm
--------------------	---

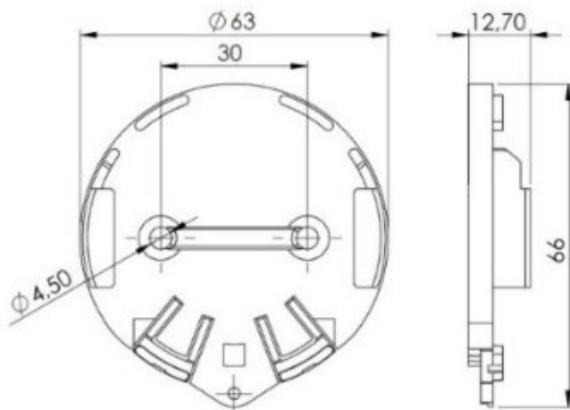
**MECHANICAL DRAWINGS**



*PUCK HOUSING*



*PROBE PT1000*



*PUCK HOLDER*

**AVAILABLE REFERENCES**

Ref	Description
IDF25250-01B	Blue Puck T-Probe IP65
IDF25250-02B	Blue Puck T-Probe Bluetooth advanced features ready version & IP65