

Blue SLIM ID+ Mesh

Mesh 2.4Ghz location non-router tag



BENEFITS

- Simple deployment, maintenance, and expansion
- Smart battery management
- Ultra slim format: 2.4 mm adhesive face
- Smart & secure programming by NFC
- Over-the-air (OTA) firmware update via network



TECHNICAL SPECIFICATIONS

OPERATING MODE

Frequency	2.4 GHz – BLE channel / Mesh network
Output power	Up to +4 dBm (Smart network)
Range	Up to 100 meters open field (+4 dBm)
Transmission period	Setting of the 2 transmission periods (Moving state and static state), 15" to 18H.
Radio frame format	Setting of the 3-byte identifier, WIREPAS Network Address and Channel. BLE Advertising Frame: Transmission Interval, Name and Power.* <i>*Refer to the frames specification for more information.</i>
Settings and configuration	Interface/protocol : NFC (Type 2) Acceleration level for inertial event wake up Network Configuration and Diagnostics: Wirepas Network Tool software
Mobile beacon mode	Periodic transmission of identifier and location data
Sensor performance	Location accuracy: 5 to 10 meters Accelerometer: Detection of inertial events (extension of battery life) Range: -8g to 8g, configurable threshold

BATTERY

Power supply	3 VDC - Internal lithium battery
Battery life	Up to 2.8 years Battery voltage level sent via network and on MQTT Topic* <i>*Refer to the battery life curves for more information.</i>

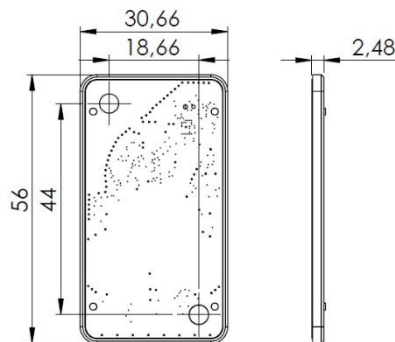
CERTIFICATIONS

Europe	CE : EN 300 328/EN 300 330, EN 301 489, EN 62311, EN 62368
UK	UKCA
USA	FCC : FCC PART 15
Canada	ISED : RSS-247/ICES-003
RoHS	Yes

HOUSING

Dimensions	56 x 30.6 x 2.4 mm - 2 housing holes \varnothing 4mm, spaced by 43 mm
Weight	6g
Materials	High adhesive back side - ABS Material
Operating temperature	-20°C to +55°C

MECHANICAL DRAWINGS



AVAILABLE REFERENCES

Ref	Description
IDF03453-01A	Blue Slim ID + MESH STACK WP4 compatible
IDF03453-02A	Blue Slim ID + MESH STACK WP5 compatible