

Blue COIN ID & AERO ID

Industrial Bluetooth Low Energy beacon

BENEFITS

- High autonomy : up to 5 years
- Pick to light : integrated high power LED
- Waterproof (IP68)
- Smart & secure programming by NFC
- Over The Air Programming (OTAP)
- BAF compatible depending on configuration



TECHNICAL SPECIFICATIONS

OPERATING MODE

Frequency	2.4 GHz - Bluetooth Low Energy 4.0/4.2
Output power	Up to +4 dBm (configurable)
Range	Up to 200 meters in open field (+4dBm)
Transmission period	2 advertising periods can be configured (value between 0,1 and 86400 seconds). Transition from one to another according to configurable sensor threshold
Radio frame format	ELA ID (15 bytes identifier) iBeacon Eddystone <i>Other frame format available on request. Refer to the frames specifications for more information</i>
Parameters and configuration	Interface/protocol : NFC (Type 2)
Connected mode	LED indicator (ON / OFF) command / Battery level

BATTERY

Power supply	3 VDC – Internal lithium battery
Battery life	ID (ELA) : 5 years, iBeacon (Apple) : 5 years, Eddystone (Google) : 5 years*s <i>*Refer to the battery life curves for more information.</i>
Battery level	Low battery warning in advertising frames (<15%) Battery voltage in scan response frames (configurable)

CERTIFICATIONS

Europe	CE / EN 300 330 / EN 301 489 / EN 62311 / EN 62368
UK	UKCA
USA	FCC : FCC PART 15
Canada	ISED : RSS-247/ICES-003
RoHs/REACH	Yes

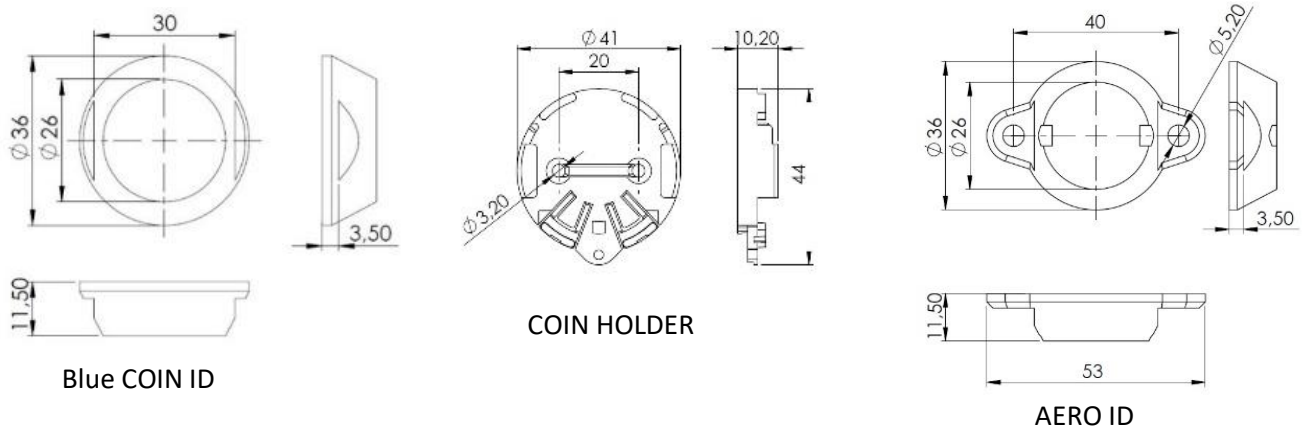
HOUSING

Dimensions	Ø 36mm base - Thickness 11,5mm 2 holes : Ø 5,2mm, spaced of 40 mm (AERO only)
Weight	13g
Materials	DELIRIN (POM C) Compatible with food products (90/128/EEC)
Waterproofness	IP 68
Operating temperature	-30°C to +70°C

ACCESSORIES

Tag support	<p>Holder + double-sided adhesive: COIN HOLDER STICKER (ACIOM92C)</p> <p>Holder only: COIN HOLDER (ACIOM91)</p> <p>Double-sided adhesive only: COIN STICKER (ACIOM187) 3M PT1100 - Ø 34mm – Thickness: 1,1mm</p>
--------------------	---

MECHANICAL DRAWINGS



AVAILABLE REFERENCES

Ref	Description
IDF10240-01A	Blue Coin ID IP68
IDF10240-02A	Blue Coin ID Bluetooth advanced features ready version & IP68
IDF10240-03A	Aero ID IP68
IDF10240-04A	Aero ID Bluetooth advanced features ready version & IP68