

BLUE SLIM ID

Bluetooth Low Energy beacon tag



BENEFITS

- Ultra slim format : 2.4 mm with adhesive face
- High transmission range
- 3 years autonomy
- Smart & secure programming by NFC
- Over The Air Programming (OTAP)
- Dynamic Advertising period



TECHNICAL SPECIFICATIONS

OPERATING MODE

Frequency	2.4 GHz - Bluetooth Low Energy 4.0/4.2
Output power	Up to +4 dBm (configurable)
Range	Up to 300 meters openfield (+4 dBm)
Transmission period	2 advertising periods can be configured (value between 0,1 and 86400 seconds). Transition from one to another according to configurable sensor threshold
Radio frame format	<p>ELA ID (15 bytes identifier)</p> <p>iBeacon</p> <p>Eddystone</p> <p><i>Other frame format available on request. Refer to the frames specifications for more information</i></p>
Parameters and configuration	Interface/protocol : NFC (Type 2)
Connected mode	Battery level

BATTERY

Power supply	3 VDC - Internal lithium battery
Battery life	<p>ID (ELA) : 3 years,</p> <p>iBeacon (Apple): 2.6 years,</p> <p>Eddystone (Google): 2.6 years*</p> <p><i>*Refer to the battery life curves for more information.</i></p>
Battery level	<p>Low battery warning in advertising frames (<15%)</p> <p>Battery voltage in scan response frames (configurable)</p>

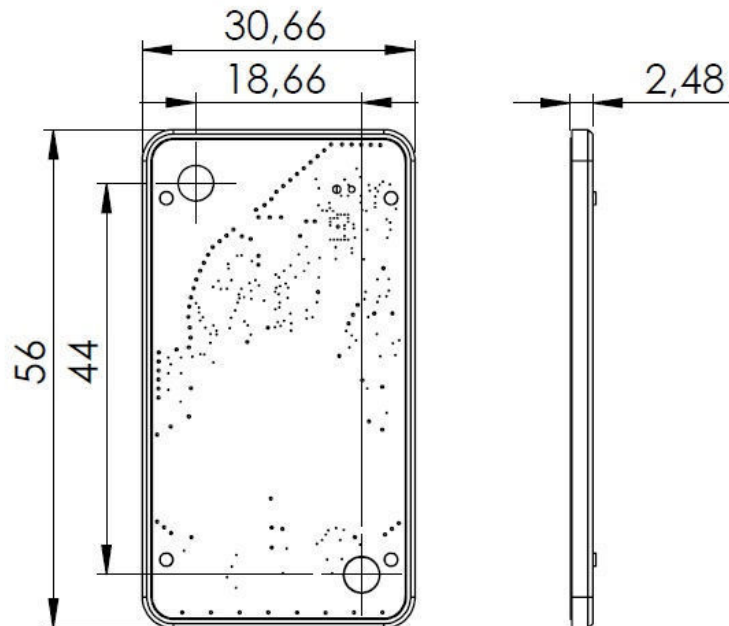
CERTIFICATIONS

Europe	CE / UK CA : EN 300 328/EN 300 330, EN 301 489, EN 62311, EN 62368
USA	FCC : FCC PART 15
Canada	ISED : RSS-247/ICES-003
RoHs/REACH	Yes

HOUSING

Dimensions	56 x 30.6 x 2.4 mm - 2 housing holes \varnothing 4mm, spaced by 43 mm
Weight	6g
Materials	High adhesive back side - ABS Material
Operating temperature	-20°C to +55°C

MECHANICAL DRAWINGS



Blue SLIM ID