

COIN LUX

Active RFID lightness sensor



AVANTAGES

- Embedded light sensor
- High transmission range up to 80m
- Battery life: up to 10 years
- Waterproof grade : IP68



TECHNICAL SPECIFICATIONS

OPERATING MODE

Frequency	433.92 MHz
Range	Up to 80 m (open field)
Transmission period	From 200 ms to 10 h configurable
Radio frame format	24 bits: XXXYZZ (in hexa) 32 bits: XXXXYZZ (in hexa) XXX: identifying code from 400 to 4FF (24 bits) or 4000 to 4FFF (32 bits) Y: result exponent (EXP) ZZ: result mantissa (MAN) $L=[MAN] \times 0.16 \times (2^{[EXP]})$
Settings and configuration	By tool SCIEL PROG IR and software ERW
Sensors performance	Domain: - 30 to +70 °C Resolution : 0.01 lux Spectral scale: 400 nm to 700 nm Measuring range: 0.01 lux to 83558 lux

BATTERY

Power supply	3 VDC – Internal Battery CR2032
Battery life	Up to 10 ans* <i>* Refer to the battery life curves for more information</i>
Battery level	Specific code sent at the end of the battery's life: XXX7FF (XXX: ID code)

CERTIFICATIONS

Europe	EN 300 220 – 2007 : V2.1.2/ EN 301 489 – 3 : 2002 V1.4.1
USA	FCC PART 15 / FCC ID : RVVCOIN10XX
Canada	ISED : RSS-210 / IC ID: 20429 – COIN10XX
RoHs	Yes

BOITIER

Dimensions	Ø 36mm base – Height : 11,50 mm
Weight	13g
Materials	DELIRIN (POM C) Compatible with food products (90/128/EEC)
Waterproof grade	IP 68
Operating temperature	-30°C to +70°C

ACCESSORIES

Tag support

Holder + double-sided adhesive:

COIN HOLDER STICKER (ACIOM92C)

Holder only:

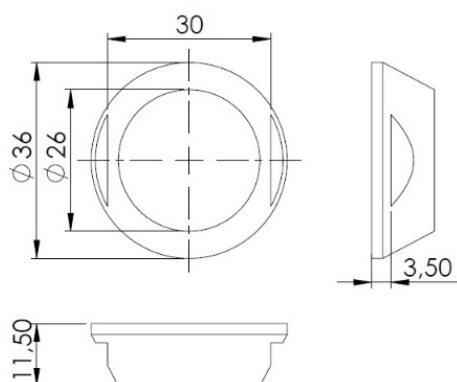
COIN HOLDER (ACIOM91)

Double-sided adhesive only:

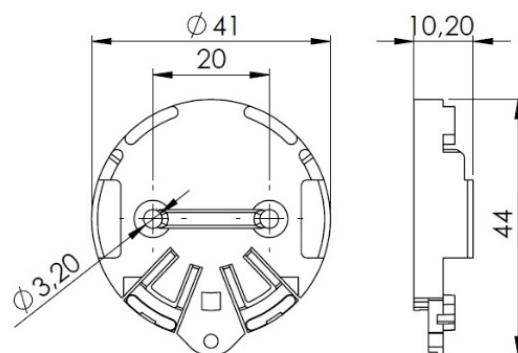
COIN STICKER (ACIOM187)

3M PT1100 - Ø 34mm – Thickness: 1,1mm

MECHANICAL DRAWINGS



COIN LUX



COIN HOLDER