

BLUE PUCK PIR Mesh



Industrial MESH 2.4 Ghz Presence detection sensor

BENEFITS

- Integrated PIR sensor for presence detection
- High transmission range
- Waterproof (IP65)
- Smart & secure programming by NFC
- Over The Air Programming (OTAP)



TECHNICAL SPECIFICATIONS

OPERATING MODE

Frequency	2.4 GHz – BLE channel / Mesh network
Output power	Up to +4 dBm (Smart Network)
Range	Up to 140 meters open field (+4dBm)
Transmission period	Transmission periods 15" to 18H.
Radio frame format	Setting of the 3-byte identifier, WIREPAS Network Address and Channel.
Settings and configuration	Interface/protocole : NFC (Type 2) Network Configuration and Diagnostics: Wirepas Network Tool software
Autorole mode	Periodic presence detection state data transmission. Immediate transmission on change of sensor state
Sensors performance	Range: 10 cm to 5 m (4 levels configuration)

BATTERY

Power supply	3 VDC - Internal lithium battery
Battery life	Up to 3 years Battery voltage level sent via network and on MQTT Topic*

Europe	CE / UK CA : EN 300 328/ EN 301 489 & EN 55032 / EN 62368-1
USA	FCC : FCC 15.247 / FCC PT 15B
Canada	ISED : RSS-247 / ICES-003
RoHS/REACH	Yes

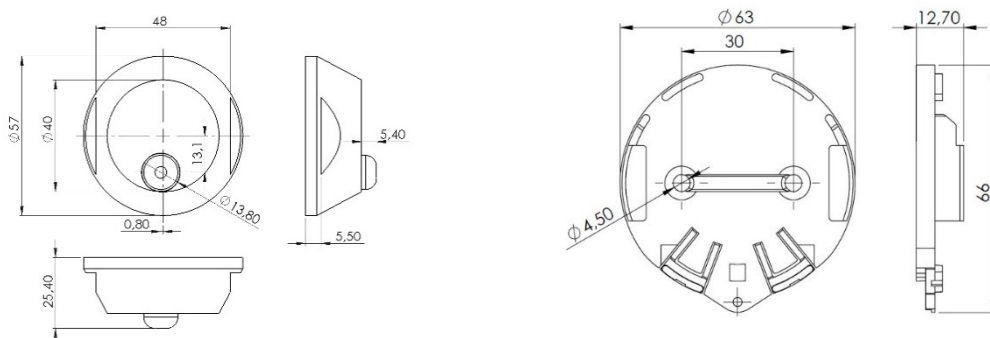
HOUSING

Dimensions	Ø 57 mm base - Height 20 mm
Weight	41g
Materials	DELIRIN (POM C) Compatible with food products (90/128/EEC)
Waterproof grade	IP 65
Operating temperature	-18°C to +32°C
Storage temperature	-18°C to +80°C

ACCESSORIES

Tag support	<p>Holder + double-sided adhesive: PUCK HOLDER STICKER (ACIOM118B)</p> <p>Holder only: PUCK HOLDER (ACIOM117B)</p> <p>Double-sided adhesive only: PUCK STICKER (ACIOM188) 3M PT1100 - Ø 55mm – Thickness: 1,1mm</p>
--------------------	--

MECHANICAL DRAWINGS



PUCK HOLDER

Blue PUCK PIR

Specifications may be modified without any notification. Non-contractual document.

www.elainnovation.com Copyright © 2020 ELA Innovation – FP Blue PUCK PIR MESH 01B