

Blue PUCK PIR



Bluetooth Low Energy Presence detection sensor

BENEFITS

- Integrated PIR sensor for presence detection
- High transmission range
- Waterproof (IP65)
- Smart & secure programming by NFC
- Over The Air Programming (OTAP)
- Dynamic Advertising period
- BAF compatible depending on configuration



TECHNICAL SPECIFICATIONS

OPERATING MODE

| | |
|-------------------------------------|---|
| Frequency | 2,4 GHz - Bluetooth Low Energy 4.0/4.2 |
| Output power | Up to +4 dBm (configurable) |
| Range | Up to 500 meters open field (+4dBm) |
| Transmission period | 2 advertising periods can be configured: value between 0,1 and 10 seconds (IDF25249-01A only) value between 0,1 and 86400 seconds (IDF25249-02A only) Transition from one to another according to configurable sensor threshold. |
| Radio frame format | ELA ID (15 bytes identifier) ELA PIR (15 bytes identifier + 15 bits event counter + 1 bit sensor state) |
| Parameters and configuration | <i>Other frame format available on request. Refer to the frames specifications for more information</i> Interface/protocole : NFC (Type 2) |
| Connected mode | Datalogger commands (record of saved sensor data)/ Battery level |
| Sensors performance | Range : 10 cm to 5 m (4 levels configuration) |

BATTERY

| | |
|----------------------|--|
| Power supply | 3 VDC - Internal lithium battery |
| Battery life | Up to 6 years* <i>* Refer to the battery life curves for more information</i> |
| Battery level | Low battery warning in advertising frames (<15%) Battery voltage in scan response frames (configurable) |

CERTIFICATIONS

| | |
|-------------------|---|
| Europe | CE / EN 301 489 & EN 55032 / EN 62368-1 |
| UK | UKCA |
| USA | FCC : FCC 15.247 / FCC PT 15B |
| Canada | ISED : RSS-247 / ICES-003 |
| RoHS/REACH | Yes |

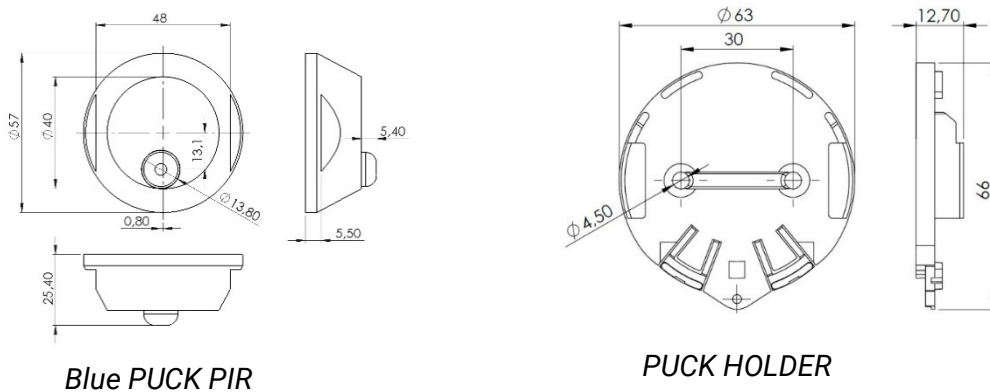
HOUSING

| | |
|------------------------------|---|
| Dimensions | Ø 57 mm base - Thickness 20 mm |
| Weight | 41g |
| Materials | DELFIN (POM C) Compatible with food products (90/128/EEC) |
| Waterproofness | IP 65 |
| Operating temperature | -18°C to +32°C |
| Storage temperature | -18°C to +80°C |

ACCESSORIES

| | |
|--------------------|--|
| Tag support | <p>Holder + double-sided adhesive: PUCK HOLDER STICKER (ACIOM118B)</p> <p>Holder only: PUCK HOLDER (ACIOM117B)</p> <p>Double-sided adhesive only: PUCK STICKER (ACIOM188) 3M PT1100 - Ø 55mm – Thickness: 1,1mm</p> |
|--------------------|--|

MECHANICAL DRAWINGS



AVAILABLE REFERENCES

| Ref | Description |
|--------------|--|
| IDF25249-01A | Blue Puck PIR IP65 |
| IDF25249-02A | Blue Puck PIR Bluetooth advanced features ready version & IP65 |