

# Blue PUCK T EN12830



Bluetooth Low Energy temperature datalogger

## BENEFITS

- Approved EN12830 v2018 datalogger certification
- Very high autonomy : up to 18 Years
- High transmission range
- Waterproof (IP68 & IP69K)
- Smart & secure programming by NFC
- Over The Air Programming (OTAP)
- Dynamic Advertising period
- BAF compatible depending on configuration



## TECHNICAL SPECIFICATIONS

### OPERATING MODE

<b>Frequency</b>	2,4 GHz - Bluetooth Low Energy 4.0/4.2
<b>Output power</b>	Up to +4 dBm (configurable)
<b>Range</b>	Up to 500 meters open field (+4dBm)
<b>Transmission period</b>	2 advertising periods can be configured (value between 0,1 and 86400 seconds). Transition from one to another according to configurable sensor threshold
<b>Radio frame format</b>	<b>ELA ID</b> (15 bytes identifier) <b>ELA T</b> (15 bytes identifier + 2 bytes Temperature (in 0.01°C))  <i>Other frame format available on request. Refer to the frames specifications for more informations</i>
<b>Parameters and configuration</b>	Interface/protocol: NFC (Type 2) or Bluetooth connected mode
<b>Connected mode</b>	Download of 4,000 time-stamped temperature values Battery level command
<b>Sensors performance</b>	<b>Range:</b> -40 to +85 °C <b>Resolution:</b> 0,0625 °C <b>Accuracy:</b> ±0.5°C maximum (-30° to +30°C) ±1°C maximum (-40°C to -30°C & +30°C to +85°C) <b>Calibration:</b> Configurable 3-point calibration coefficients (Polynomial 2 <sup>nd</sup> degree)

### BATTERY

<b>Power supply</b>	3.6 VDC - Internal lithium battery
<b>Battery life</b>	<b>Up to 18 years*</b> (0 dBm, 10 sec advertising period) <b>Up to 10 years*</b> (0 dBm, 3 sec advertising period) <i>* Refer to the battery life curves for more information</i>
<b>Battery level</b>	Low battery warning in advertising frames (<15%) Battery voltage in scan response frames (configurable)

### CERTIFICATIONS

<b>Europe</b>	CE / EN 301 489 & EN 55032 / EN 62368-1 / EN12830 (2018) EN13486 calibration certification on demand
<b>UK</b>	UKCA
<b>USA</b>	FCC : FCC PART 15
<b>Canada</b>	ISED : RSS-247 / ICES-00
<b>Japan</b>	TELEC
<b>RoHs/REACH</b>	Yes

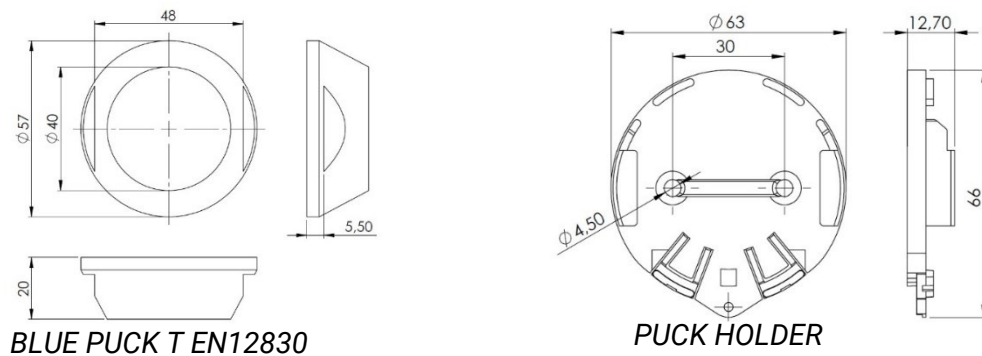
**HOUSING**

<b>Dimensions</b>	Ø 57 mm base - Thickness 20 mm
<b>Weight</b>	41g
<b>Materials</b>	DELTRIN (POM C) Compatible with food products (90/128/EEC)
<b>Waterproofness</b>	IP 68 & IP69K
<b>Operating temperature</b>	-40°C to +85°C

**ACCESSORIES**

<b>Tag support</b>	<p><b>Holder + double-sided adhesive:</b> PUCK HOLDER STICKER (ACIOM118B)</p> <p><b>Holder only:</b> PUCK HOLDER (ACIOM117B)</p> <p><b>Double-sided adhesive only:</b> PUCK STICKER (ACIOM188) 3M PT1100 - Ø 55mm – Thickness: 1,1mm</p>
--------------------	--

**MECHANICAL DRAWINGS**



**AVAILABLE REFERENCES**

Ref	Description
IDF25251-02B	Blue PUCK T EN12830 extended temperature version & IP69K
IDF25251-04A	Blue PUCK T EN12830 Bluetooth Advanced Features ready version & IP69K