



Blue LITE TOUCH

Bluetooth Low Energy Beacon with ON/OFF switch

BENEFITS

- Ultra-compact
- High autonomy : up to 5 years - Replaceable battery
- iBeacon configuration
- Better management of button action
- Dynamic Advertising period
- Pick to light : integrated high power LED
- Over The Air Programming (OTAP)



TECHNICAL SPECIFICATIONS

OPERATING MODE

Frequency	2.4 GHz - Bluetooth Low Energy 4.2
Output power	Up to +4 dBm (configurable)
Range	Up to 300 meters in open field (+4dBm)
Transmission period	2 advertising periods can be configured (value between 0,1 and 86400 seconds). Transition from one to another according to configurable push button
Radio frame format	<p>iBeacon ELA ID Eddystone</p> <p><i>Other frame format available on request. Refer to the frames specifications for more information</i></p>
Parameters and configuration	Interface/protocol : NFC (Type 2)
Connected mode	LED indicator (ON / OFF) command / Battery level

BATTERY

Power supply	3 VDC – replaceable CR2032 battery
Battery life	ID (ELA): 5 years iBeacon (Apple): 5 years Eddystone (Google): 5 years* <i>*Refer to the battery life curves for more information.</i>
Battery level	Low battery warning in advertising frames (<15%) Battery voltage in scan response frames (configurable)

CERTIFICATIONS

Europe	CE / EN 300 330, EN 301 489, EN 62311, EN 62368
UK	UKCA
USA	FCC : FCC PART 15 / RoHS
Canada	ISED : RSS-247/ICES-003 / RoHS
RoHs/REACH	Yes

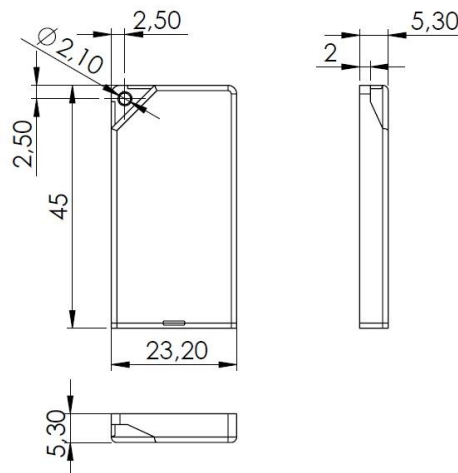
HOUSING

Dimensions	45mm length, 23.2mm width, 5.3mm height 1 hole for M2 fixing
Weight	8g
Materials	Casing: ABS Seal: TPE
Waterproofness	IP 65
Operating temperature	-30°C to +70°C

ACCESSORIES

LITE STICKER (ACIOM204)
Thickness: 0,3mm
KEY LOOP HOLDER

MECHANICAL DRAWINGS



AVAILABLE REFERENCES

Ref	Description
IDF28255-02A	Blue Lite TOUCH Bluetooth advanced features ready version & IP65